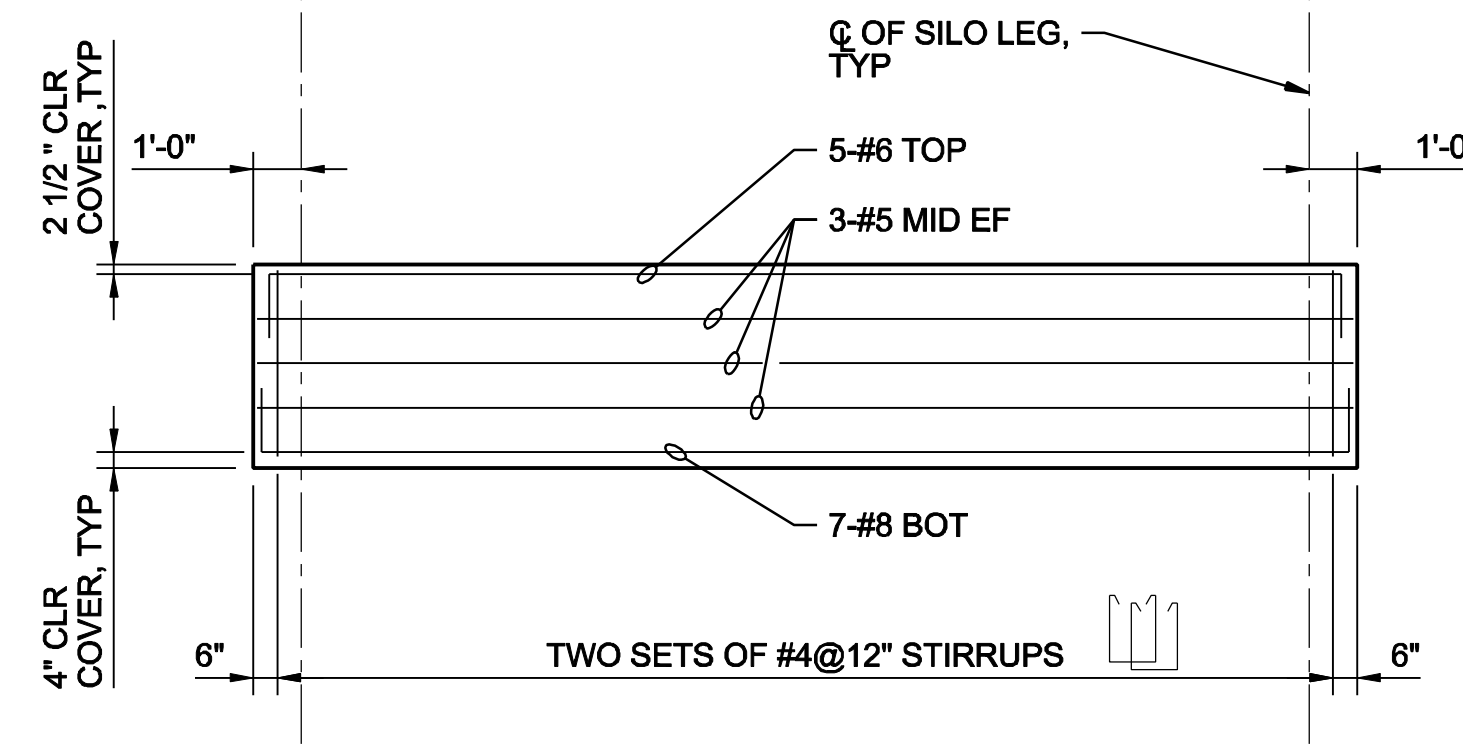
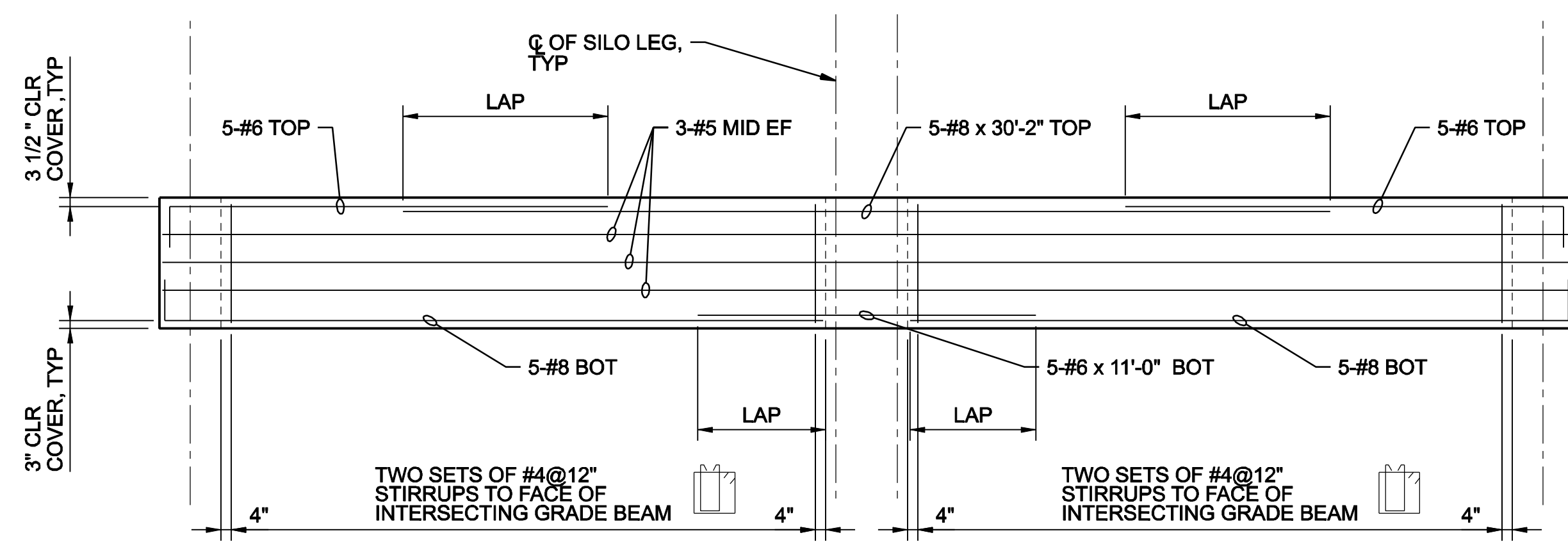


GB1
(24"x42")



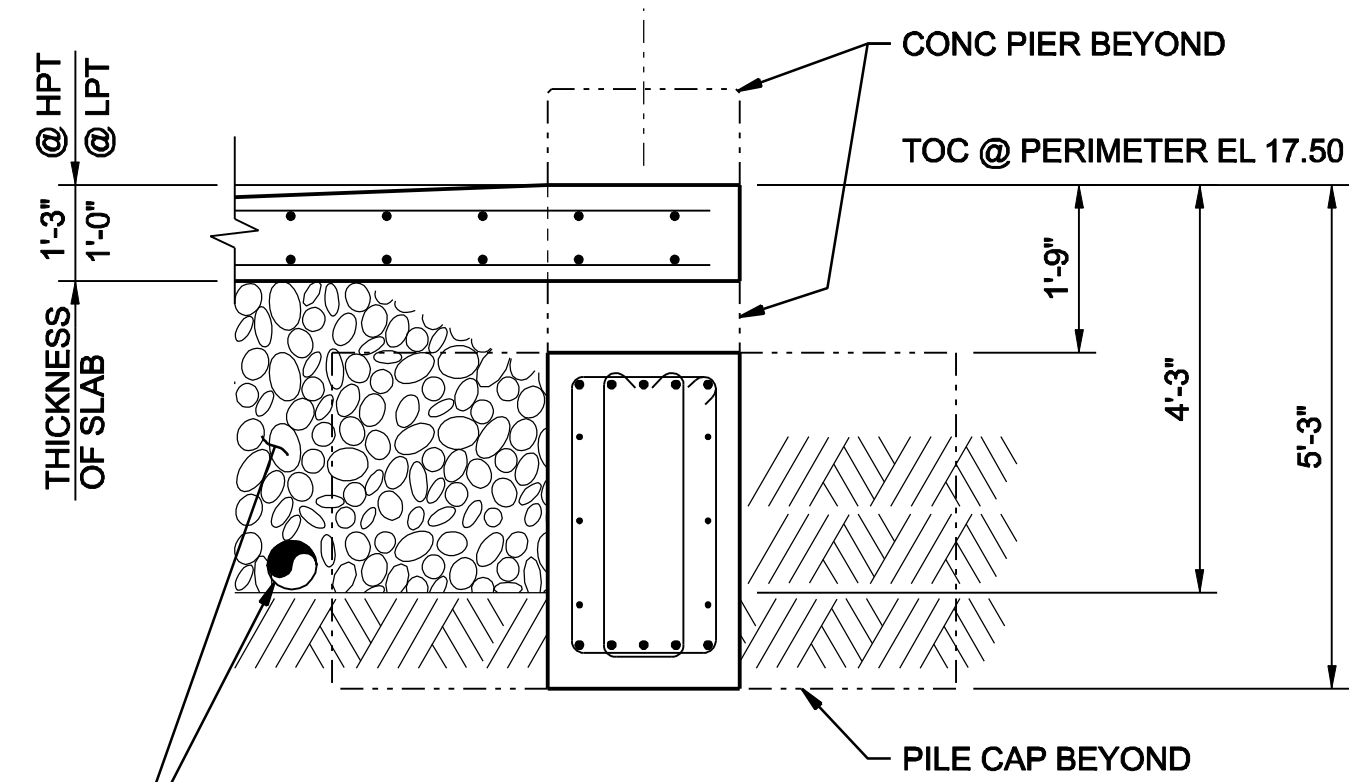
GB2
(32"x42")



GB3
(24"x42")

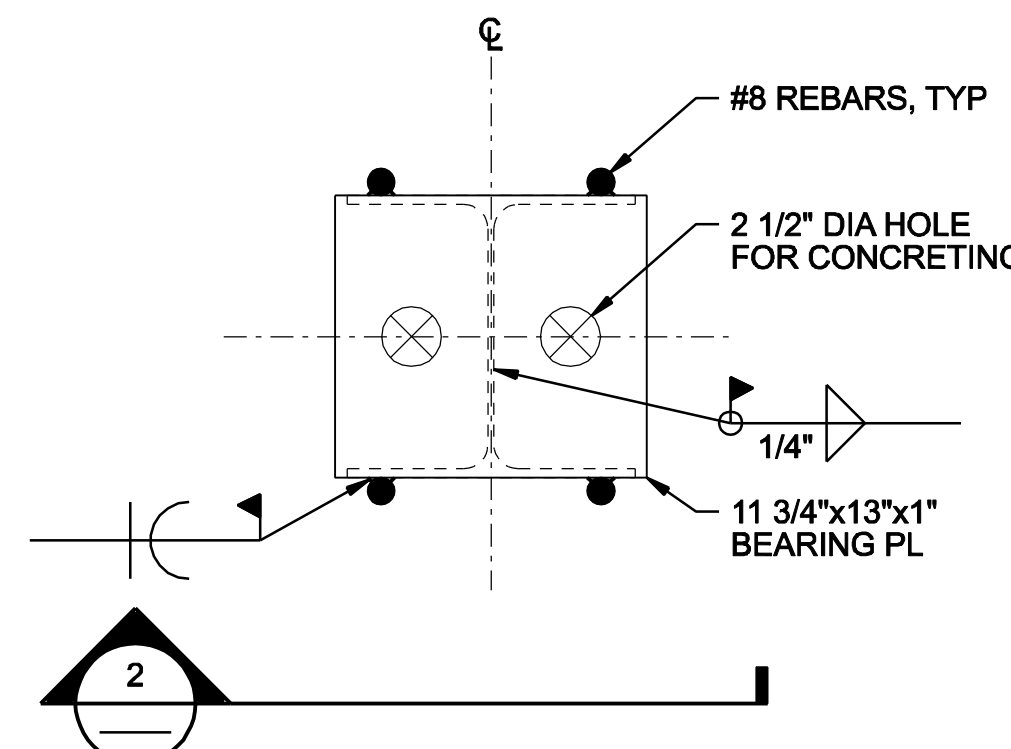
SILO GRADE BEAM REINFORCING DETAILS
1/4"=1'-0"

SEE DWG S-2426

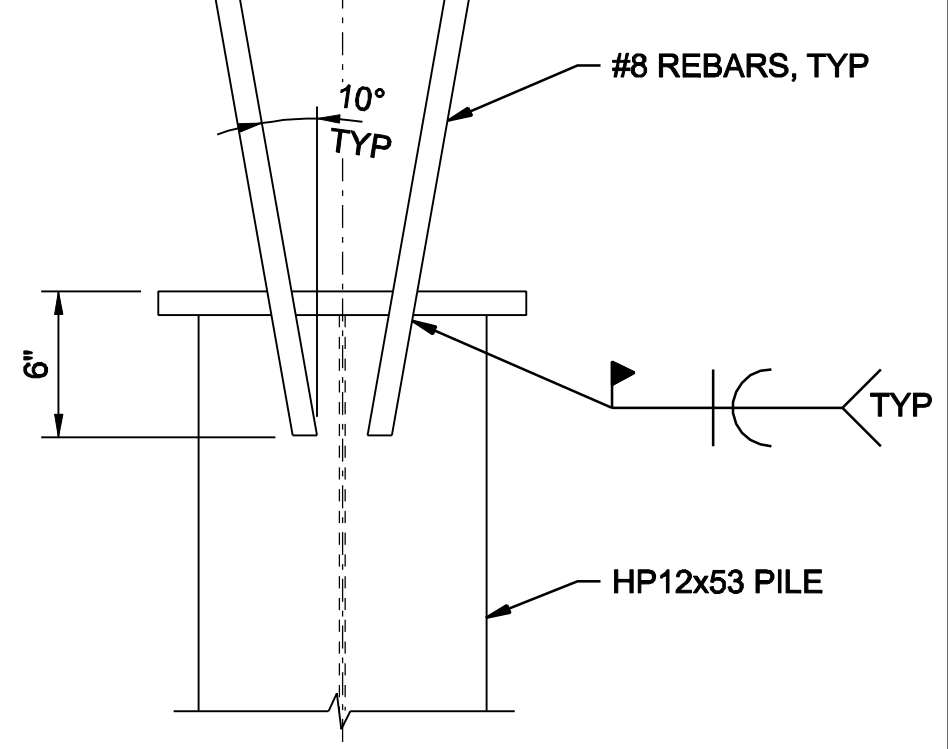


NON-FROST SUSCEPTIBLE MATERIAL WITH UNDERDRAIN SYSTEM

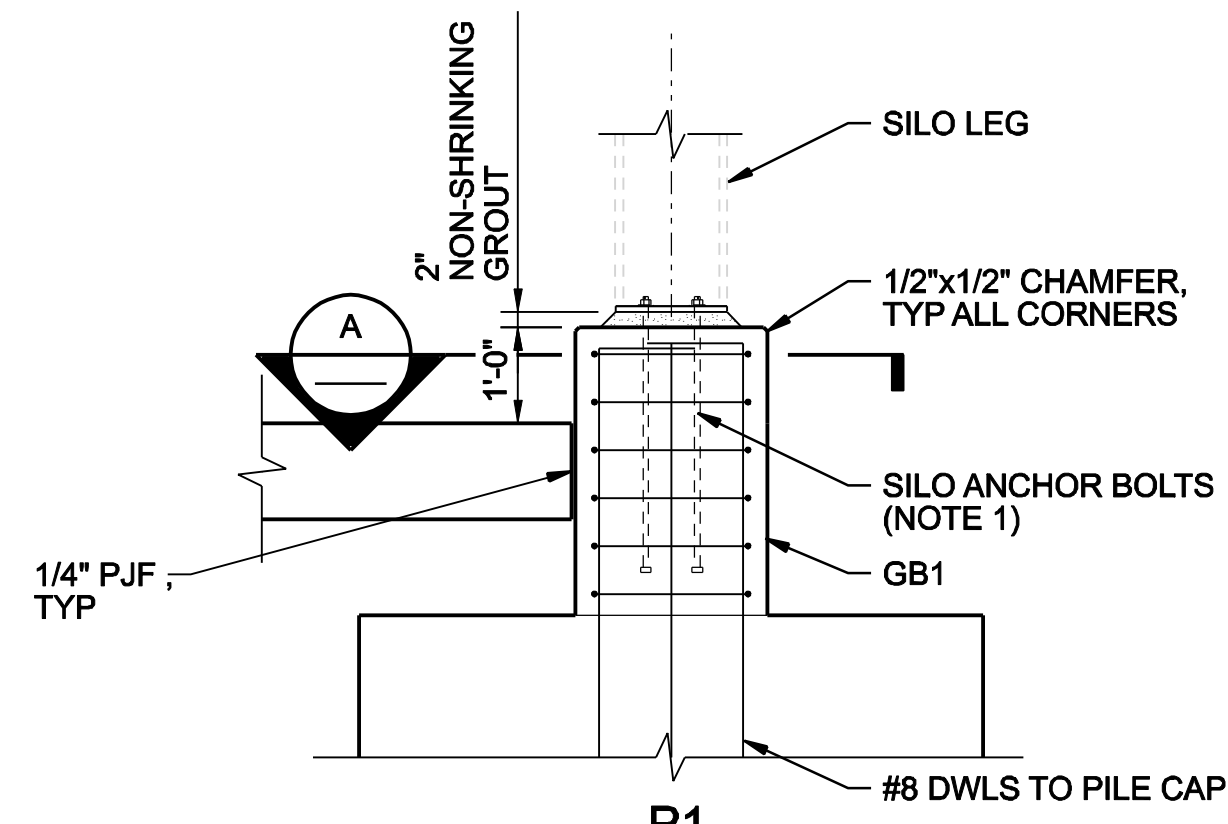
C SECTION
1/2"=1'-0"
S-2426



1 DETAIL
1 1/2"=1'-0"
S-2426

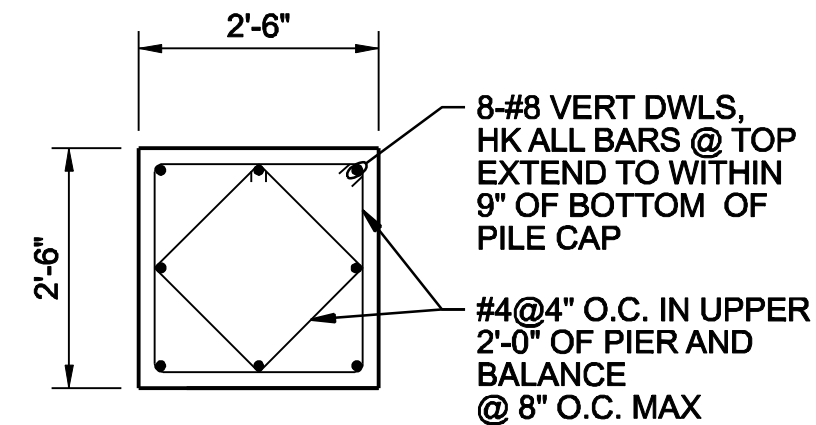


2 DETAIL
1 1/2"=1'-0"
S-2426



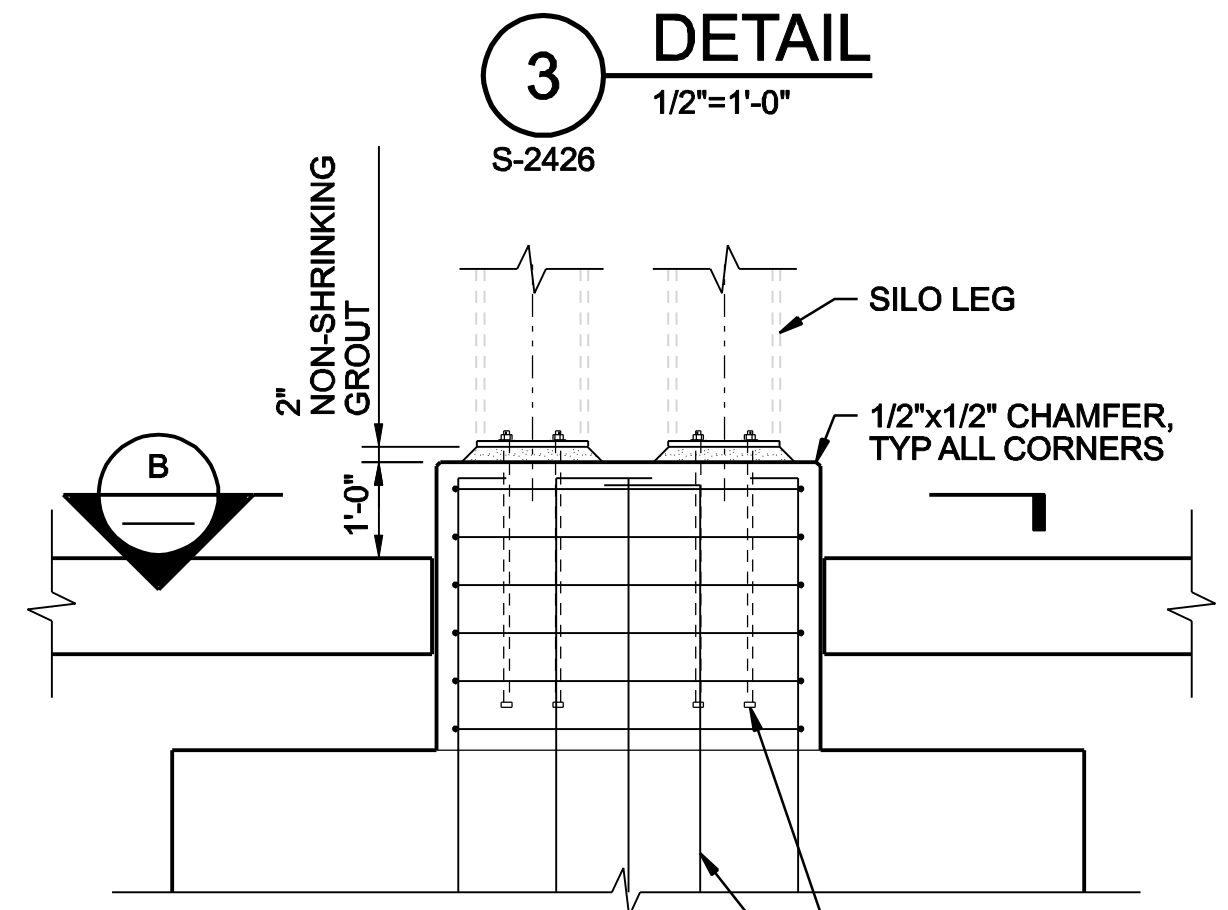
P1 PIER REINFORCEMENT

- NOTE:**
- ANCHOR BOLTS SUPPLIED BY EQUIPMENT SUPPLIER. COORDINATE WITH EQUIPMENT SUPPLIER FOR PLACEMENT DETAILS AND LOCATIONS OF ANCHOR BOLTS BEFORE CONCRETING.



A SECTION
1/2"=1'-0"

CONTRACTOR TO FIELD VERIFY ALL DIMENSIONS PRIOR TO INITIATING ANY DEMOLITION OR OTHER WORK INCLUDING ORDERING MATERIALS.



P2 PIER REINFORCEMENT

- NOTE:**
- ANCHOR BOLTS SUPPLIED BY EQUIPMENT SUPPLIER. COORDINATE WITH EQUIPMENT SUPPLIER FOR PLACEMENT DETAILS AND LOCATIONS OF ANCHOR BOLTS BEFORE CONCRETING.



B SECTION
1/2"=1'-0"

THESE RECORD DOCUMENTS HAVE BEEN PREPARED BASED ON THE INFORMATION PROVIDED BY OTHERS. THE DESIGN PROFESSIONAL HAS NOT VERIFIED THE ACCURACY AND/OR COMPLETENESS OF THIS INFORMATION AND SHALL NOT BE RESPONSIBLE FOR ANY ERRORS OR OMISSIONS WHICH MAY BE INCORPORATED HEREIN AS A RESULT.

4 DETAIL
1/2"=1'-0"
S-2426

RECORD DRAWING		BY	APVD
BG	BG	BY	APVD
PW	PW	BY	APVD
BG	BG	BY	APVD
PW	PW	BY	APVD
BG	BG	BY	APVD
PW	PW	BY	APVD
REVISION		CHK	APVD
NO.		DATE	DR
3	01/20/08		M. CHYZANOWSKI
2	09/09/06		G. OMORI
1	07/04/06		M. GOODSON
0	06/19/06		B. GACKSTATTER
STAMFORD WPC STAMFORD WATER POLLUTION CONTROL AUTHORITY SOLIDS DRYING PROJECT STRUCTURAL SILO SUPPORT SLAB DETAILS			
VERIFY SCALE BAR IS ONE INCH ON ORIGINAL DRAWING.			
DATE	JUNE 2006		
PROJ	334058		
DWG	S-2427		
SHEET	S40		