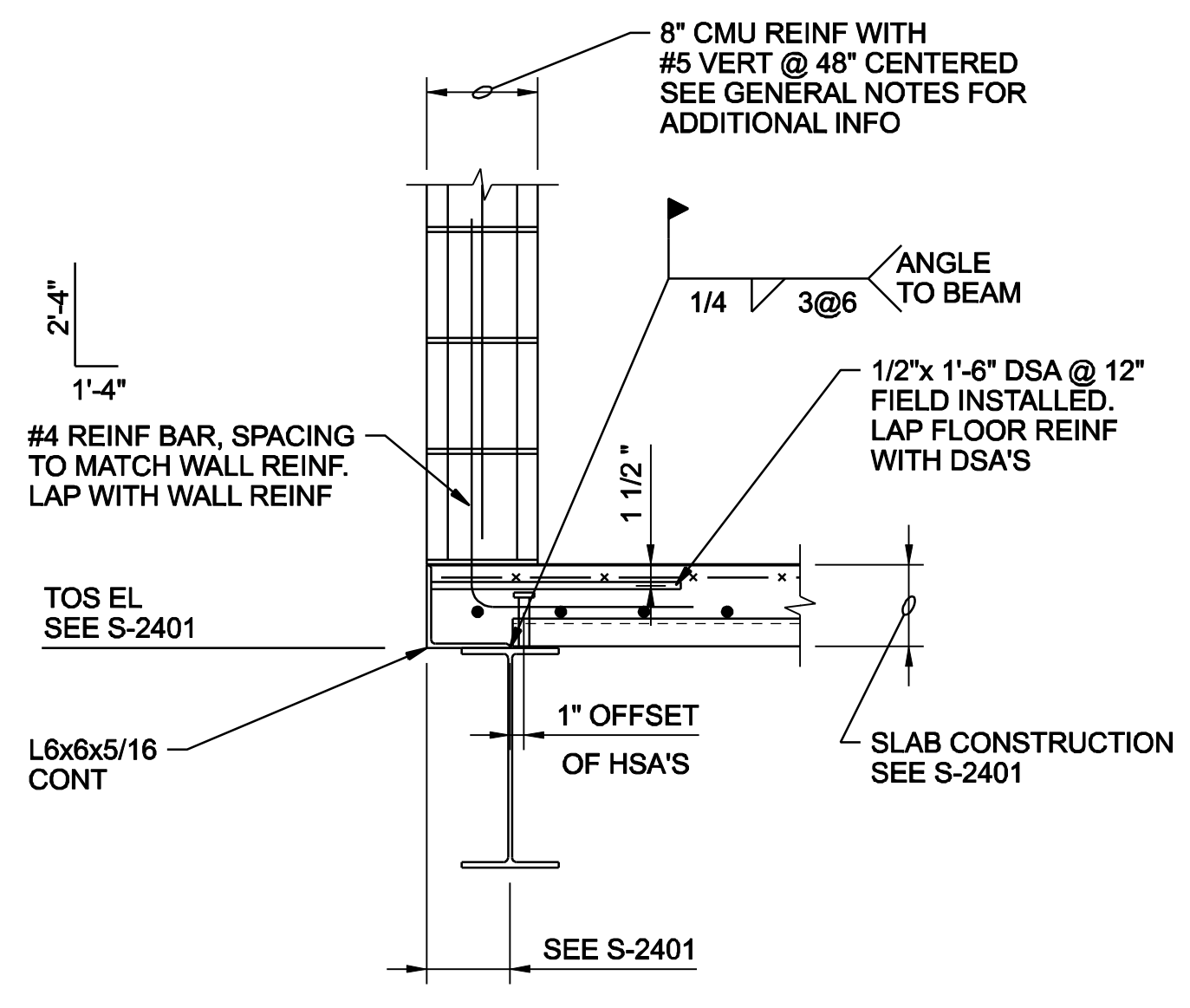
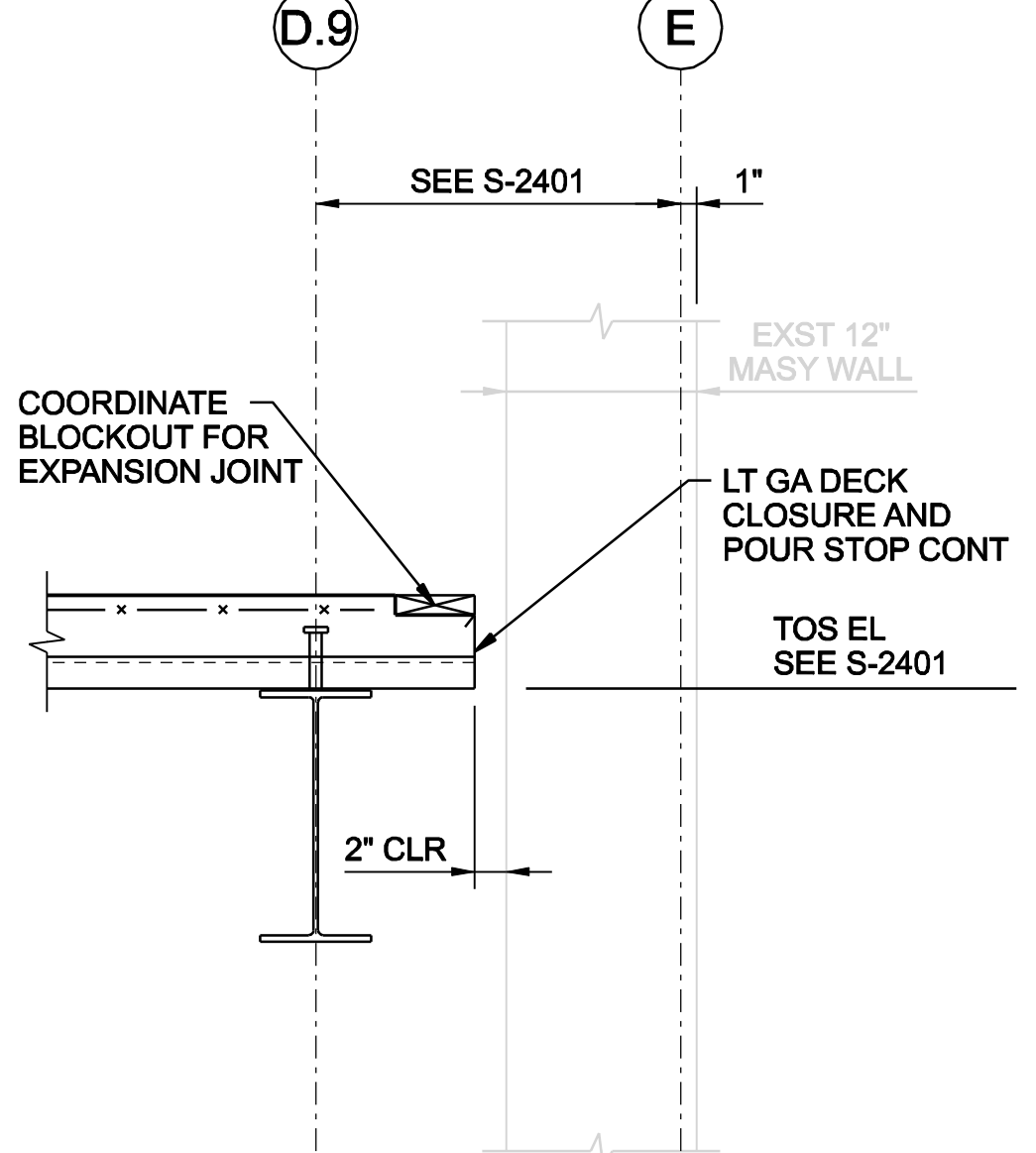


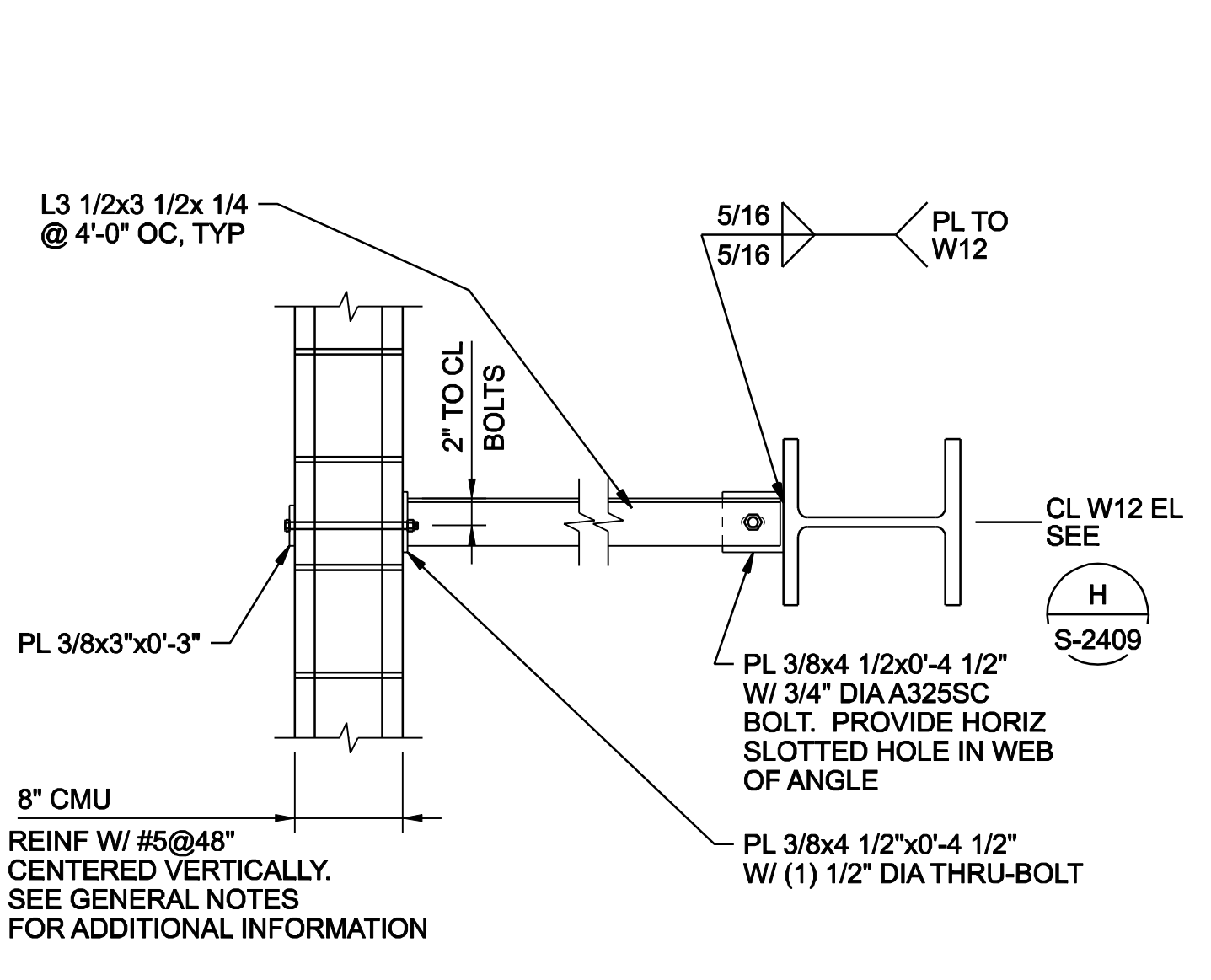
CONTRACTOR TO FIELD VERIFY ALL DIMENSIONS PRIOR TO INITIATING ANY DEMOLITION OR OTHER WORK INCLUDING ORDERING MATERIALS.



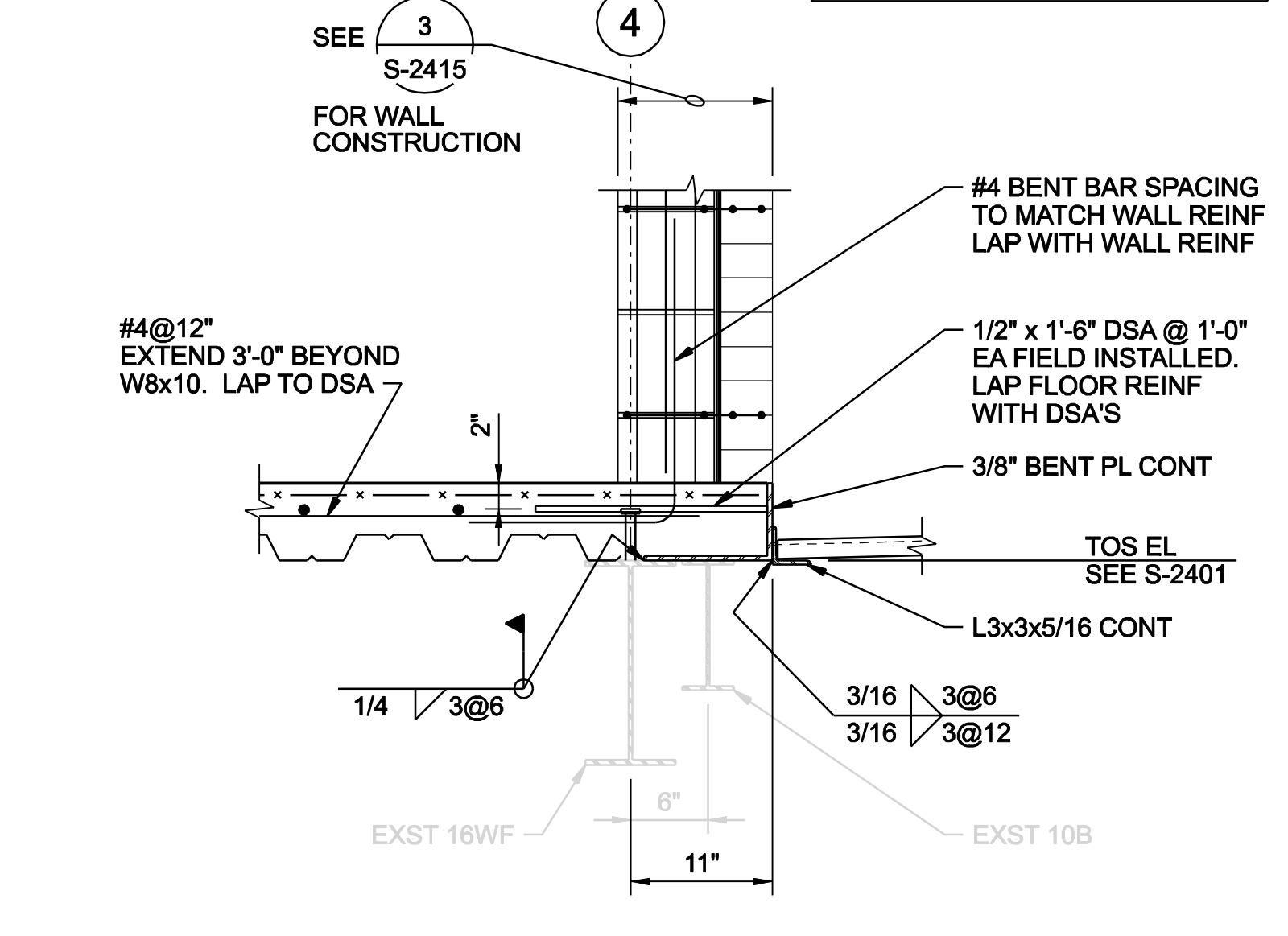
1 DETAIL
1"=1'-0"
S-2409



2 DETAIL
1"=1'-0"
S-2409

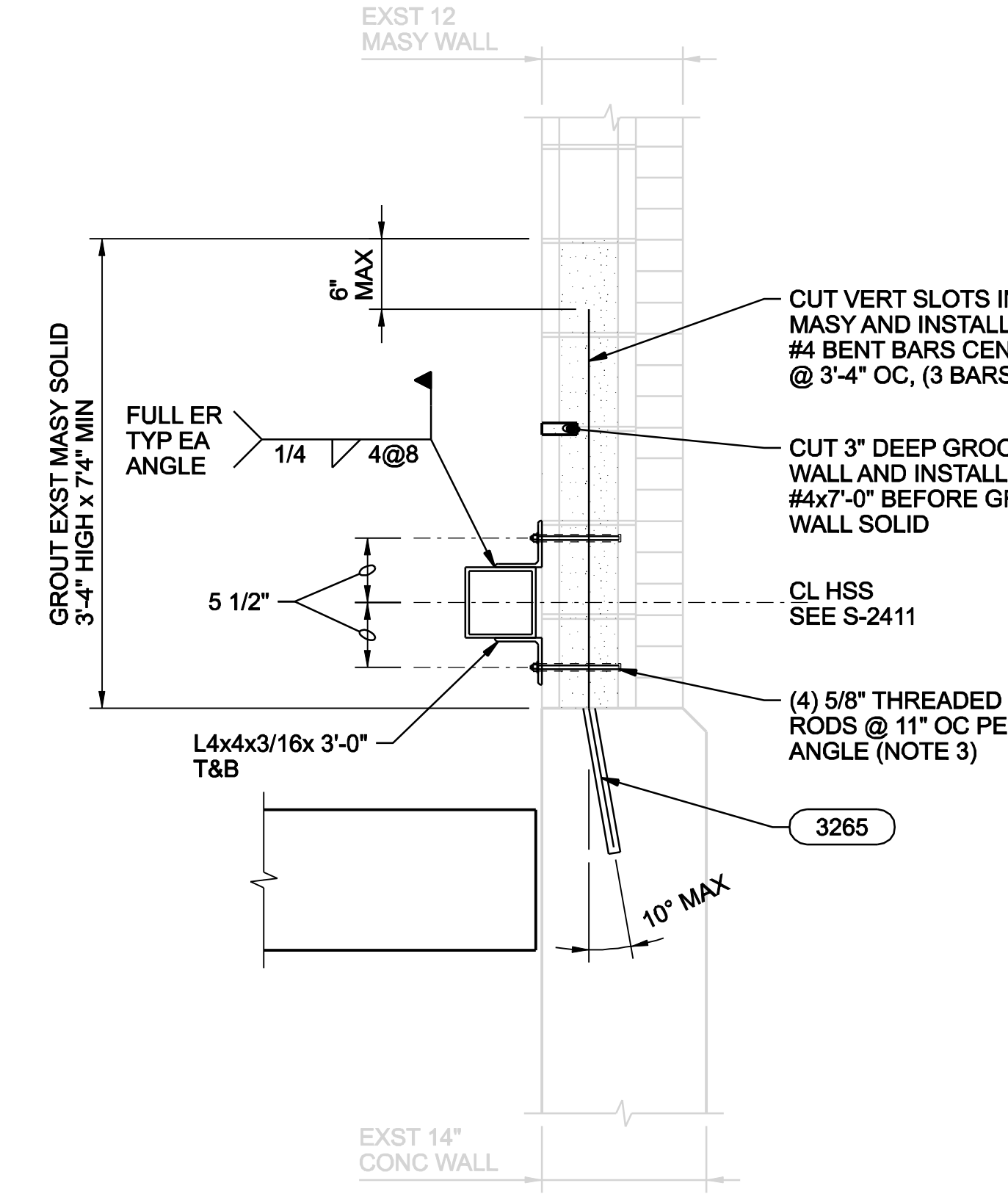


3 DETAIL
1"=1'-0"
S-2409

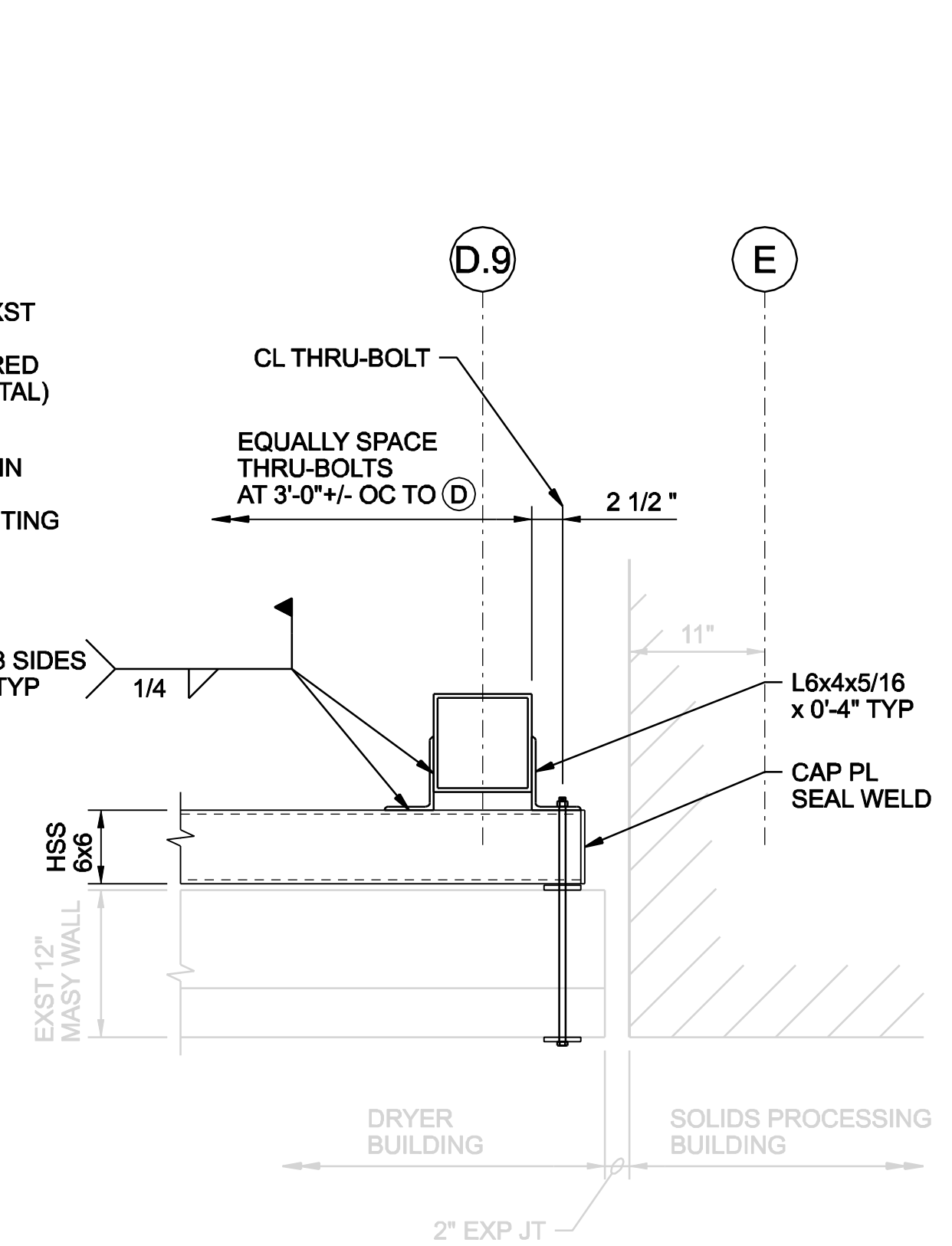


4 DETAIL
1"=1'-0"
S-2410

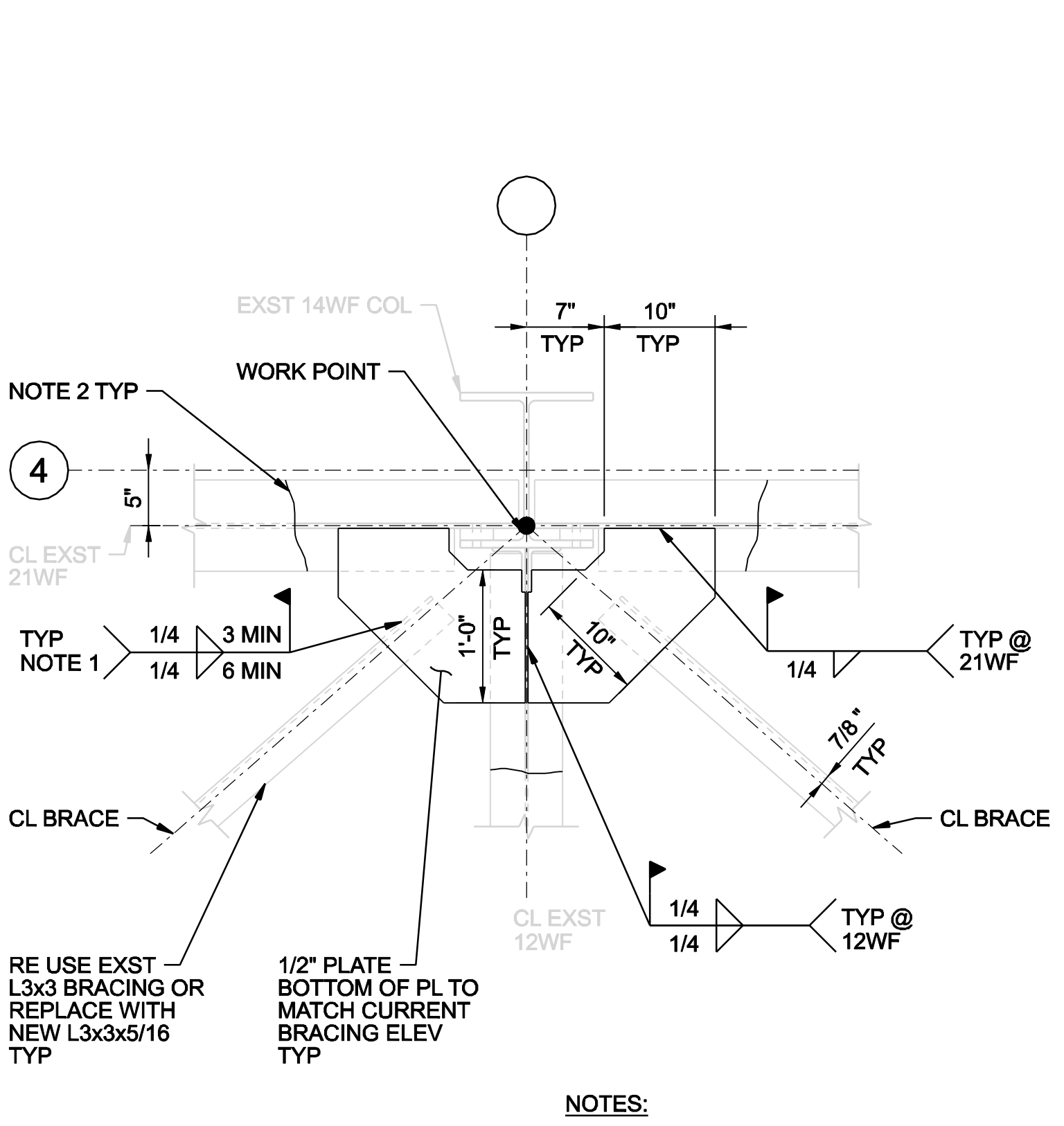
THESE RECORD DOCUMENTS HAVE BEEN PREPARED BASED ON THE INFORMATION PROVIDED BY OTHERS. THE DESIGN PROFESSIONAL HAS NOT VERIFIED THE ACCURACY AND/OR COMPLETENESS OF THIS INFORMATION AND SHALL NOT BE RESPONSIBLE FOR ANY ERRORS OR OMISSIONS WHICH MAY BE INCORPORATED HEREIN AS A RESULT.



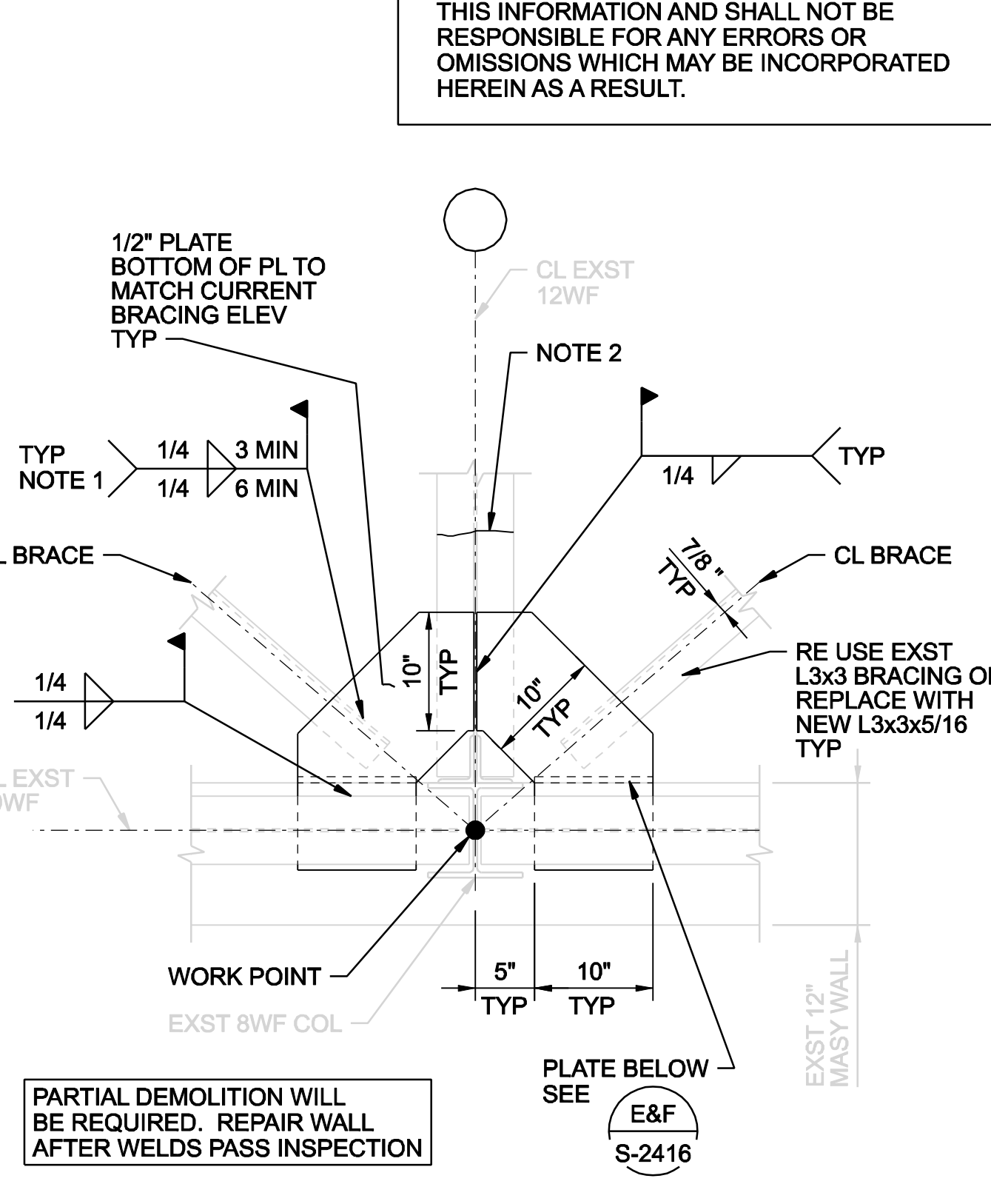
5 DETAIL
1"=1'-0"
S-2411



6 DETAIL
1"=1'-0"
S-2411



7 DETAIL
1"=1'-0"
S-2401



8 DETAIL
1"=1'-0"
S-2401

- NOTES:
1. WELD ACTUALLY ON BOTTOM OF PLATE.
 2. TOP FLANGE NOT SHOWN FOR CLARITY.
 3. DRILL AND ANCHOR INTO GROUTED MASY USING HILTI HIT HY150 ADHESIVE ANCHORING SYSTEM, INSTALLED AND INSPECTED PER ICC-ER 5193.

PARTIAL DEMOLITION WILL BE REQUIRED. REPAIR WALL AFTER WELDS PASS INSPECTION

RECORD DRAWING		BG		PW		BG		PW		BG		PW			
RE-ISSUED FOR CONSTRUCTION		BG		PW		BG		PW		BG		PW			
ISSUED FOR CONSTRUCTION		BG		PW		BG		PW		BG		PW			
FOR FINAL REVIEW/ BUILDING PERMIT		BG		PW		BG		PW		BG		PW			
01/20/08	09/08/06	07/04/06	06/19/06	NO.	DATE	DR	CHK	BY	APVD	DR	CHK	BY	APVD		
3	2	1	0			M. CHEZANOWSKI	G. OMORI	M. GOODSON	B. GACKSTATTER						
<p>STAMFORD WPCA</p> <p>STAMFORD WATER POLLUTION CONTROL AUTHORITY</p> <p>SOLIDS DRYING PROJECT</p> <p>STRUCTURAL</p> <p>MISCELLANEOUS DETAILS 6</p>															
<p>VERIFY SCALE</p> <p>BAR IS ONE INCH ON ORIGINAL DRAWING.</p>															
DATE		JUNE 2006		PROJ		334058		DWG		S-2423		SHEET		S36	