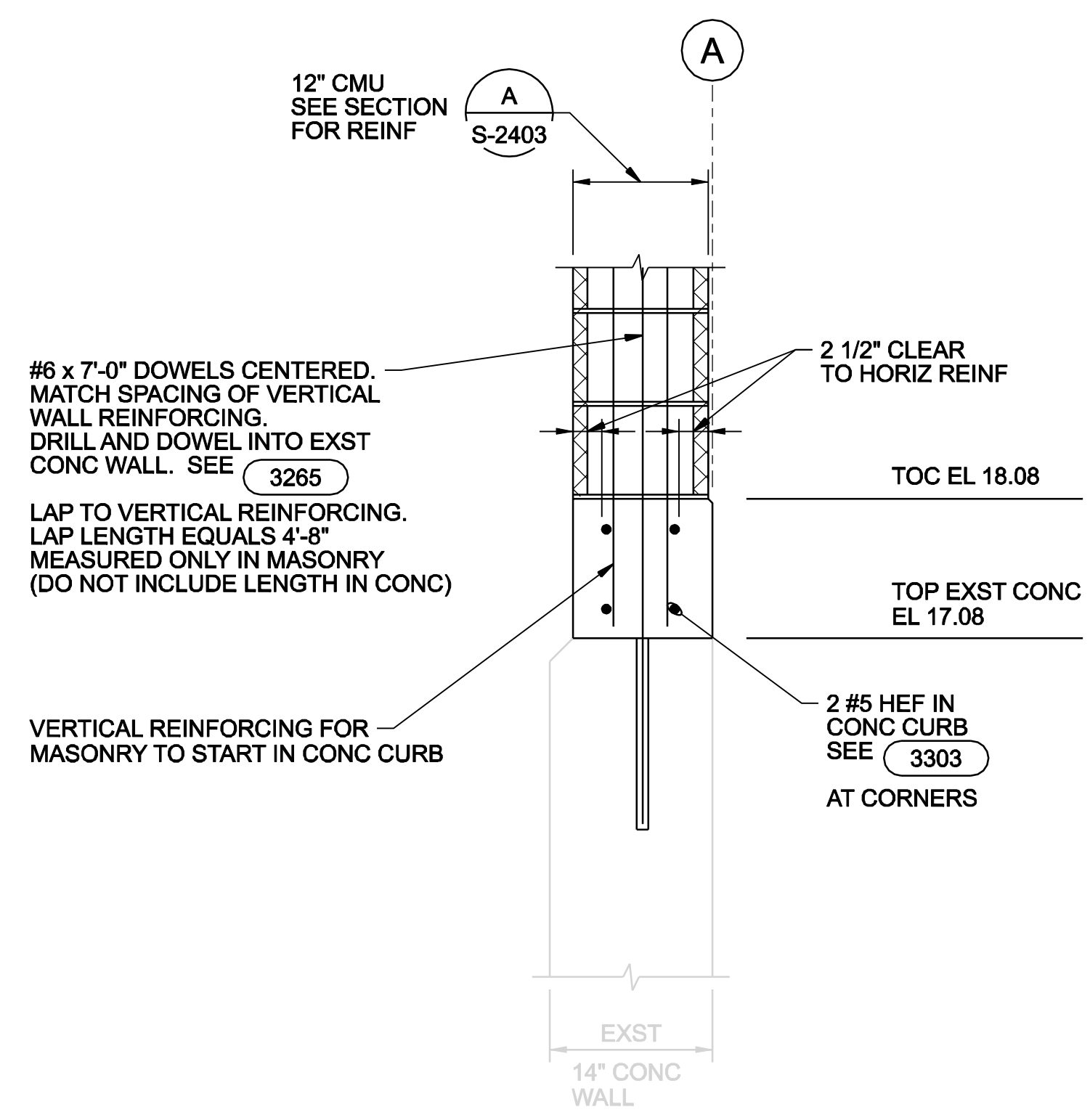
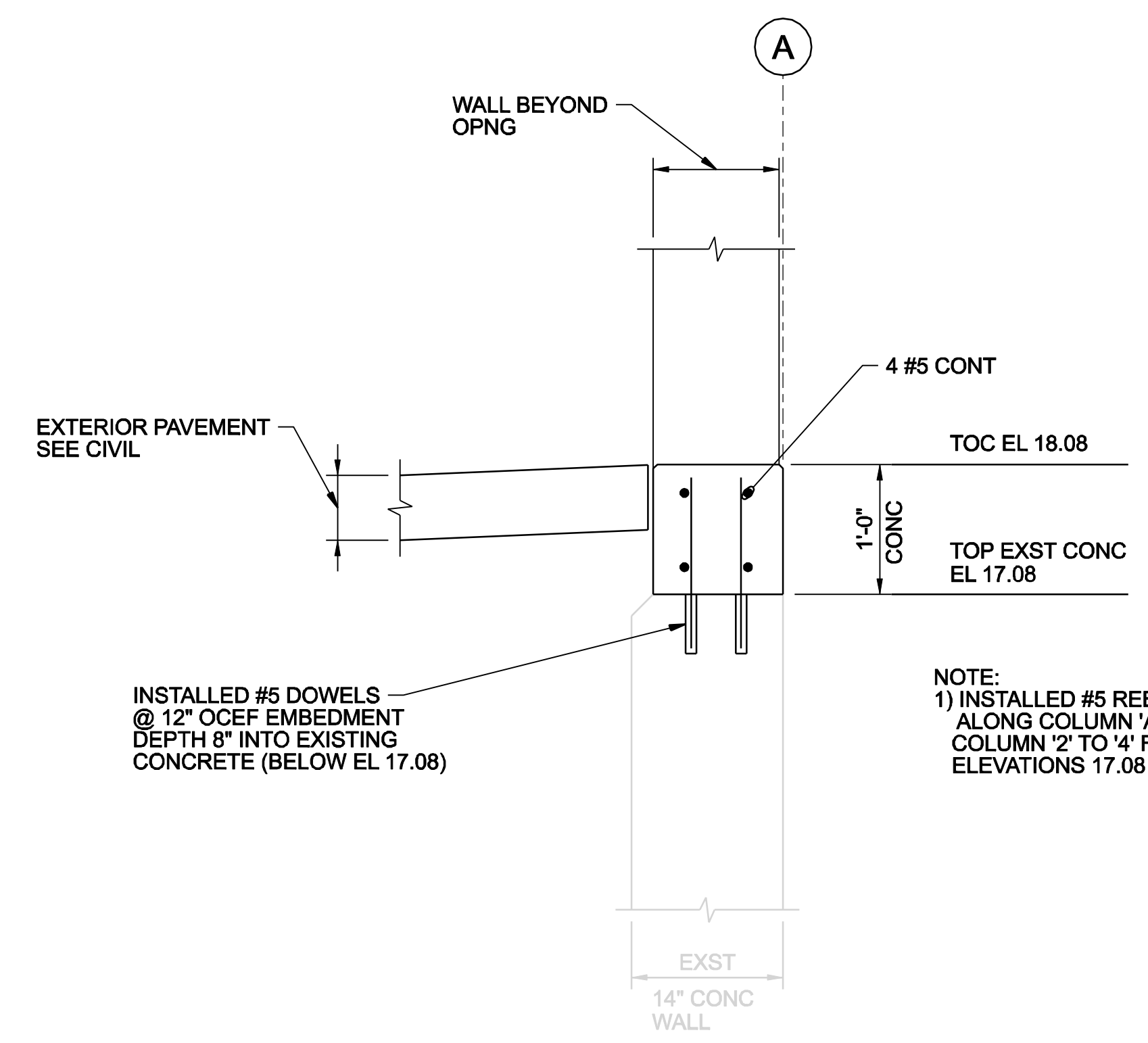


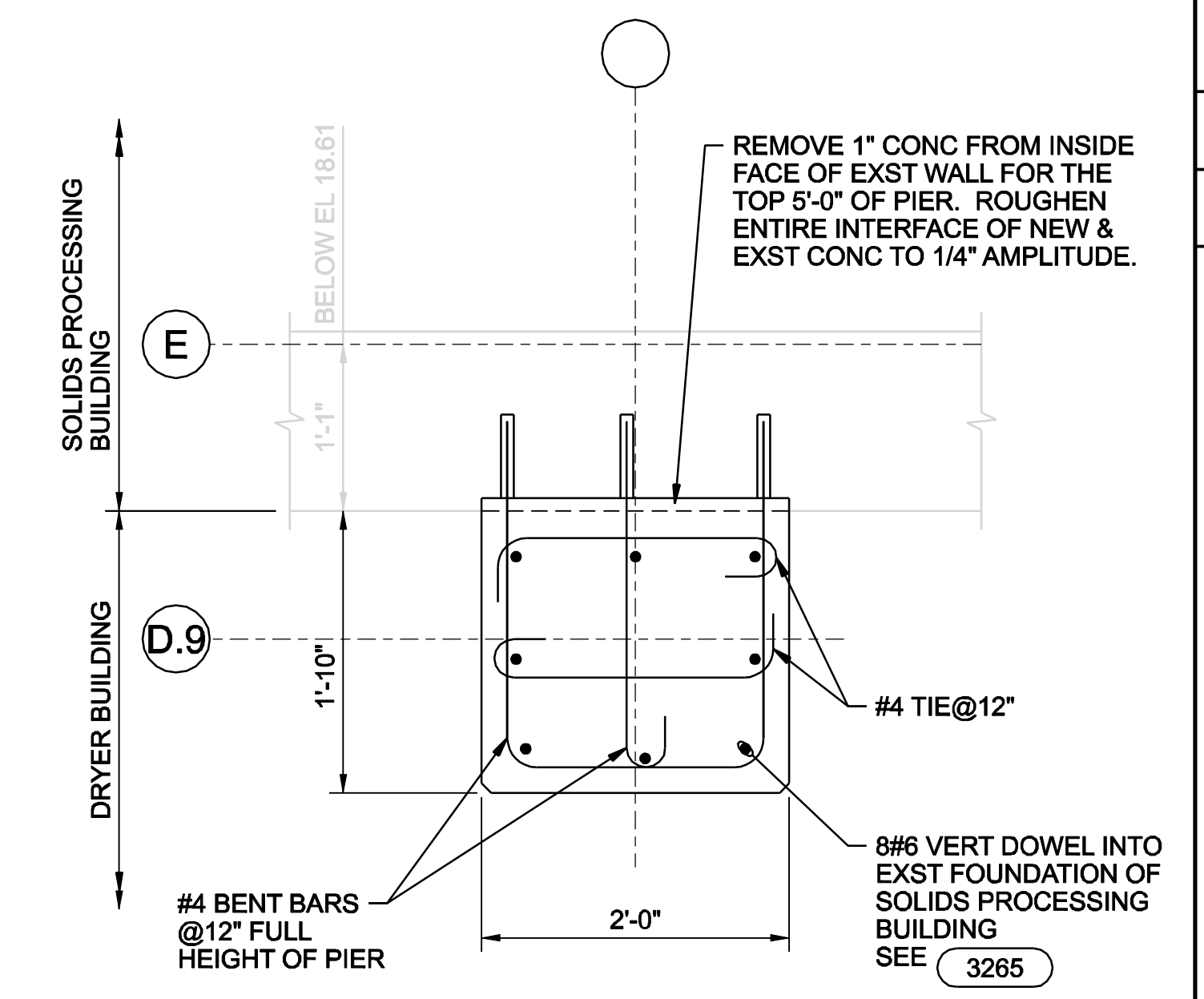
A
B
C
D



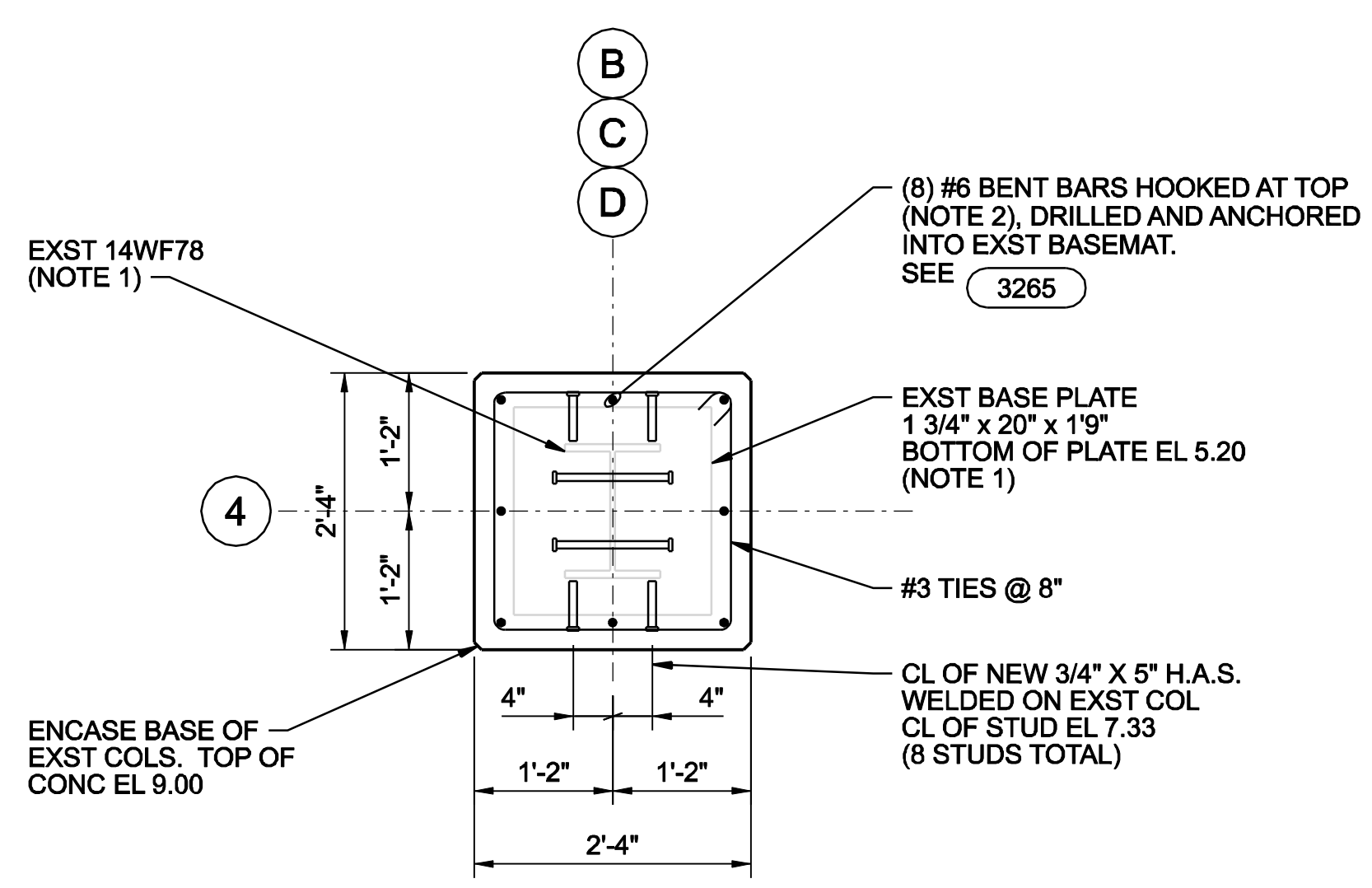
1 DETAIL
1"=1'-0"
S-2403



2 DETAIL
1"=1'-0"
S-2403

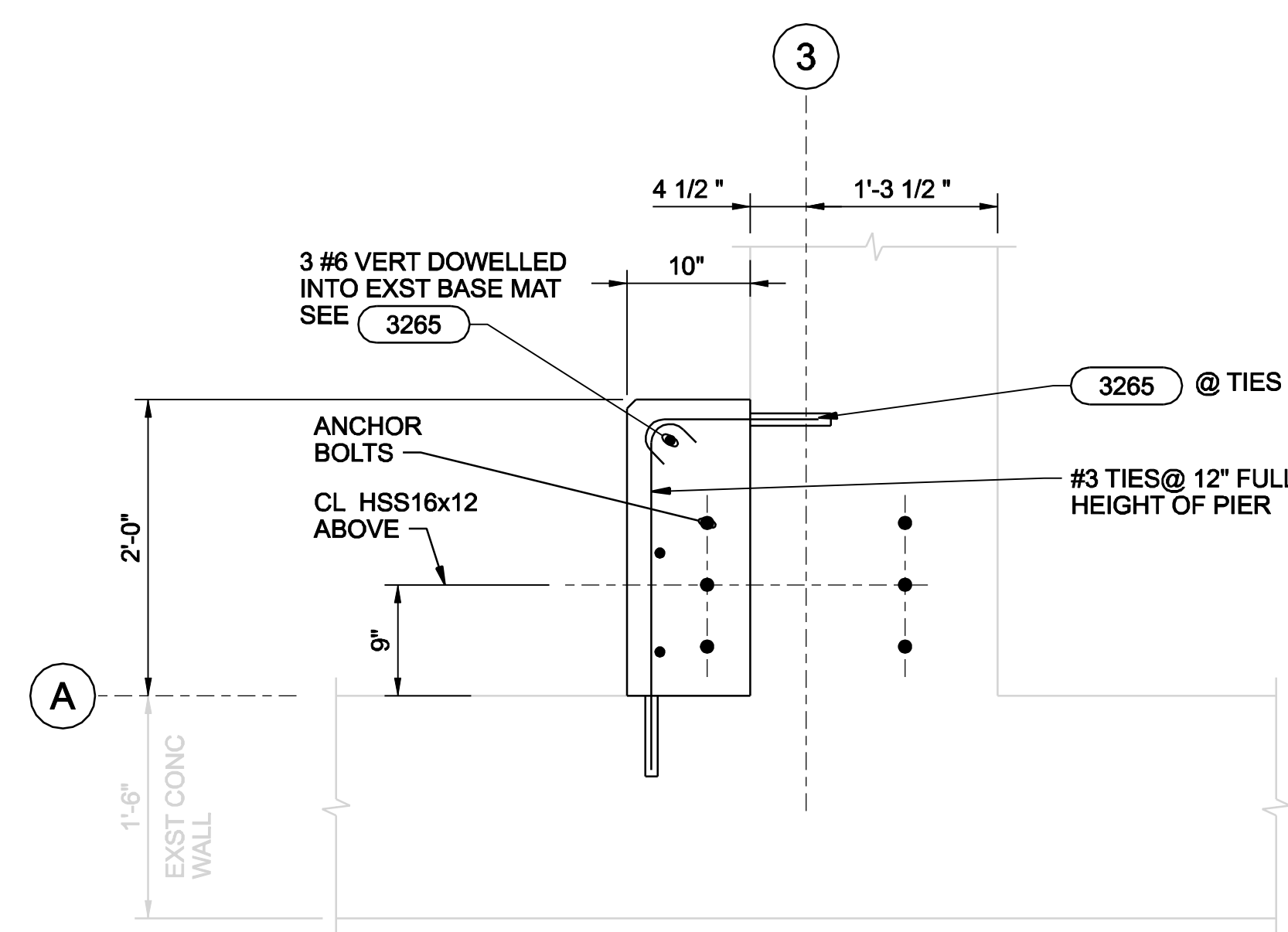


6 DETAIL
1"=1'-0"
S-2407

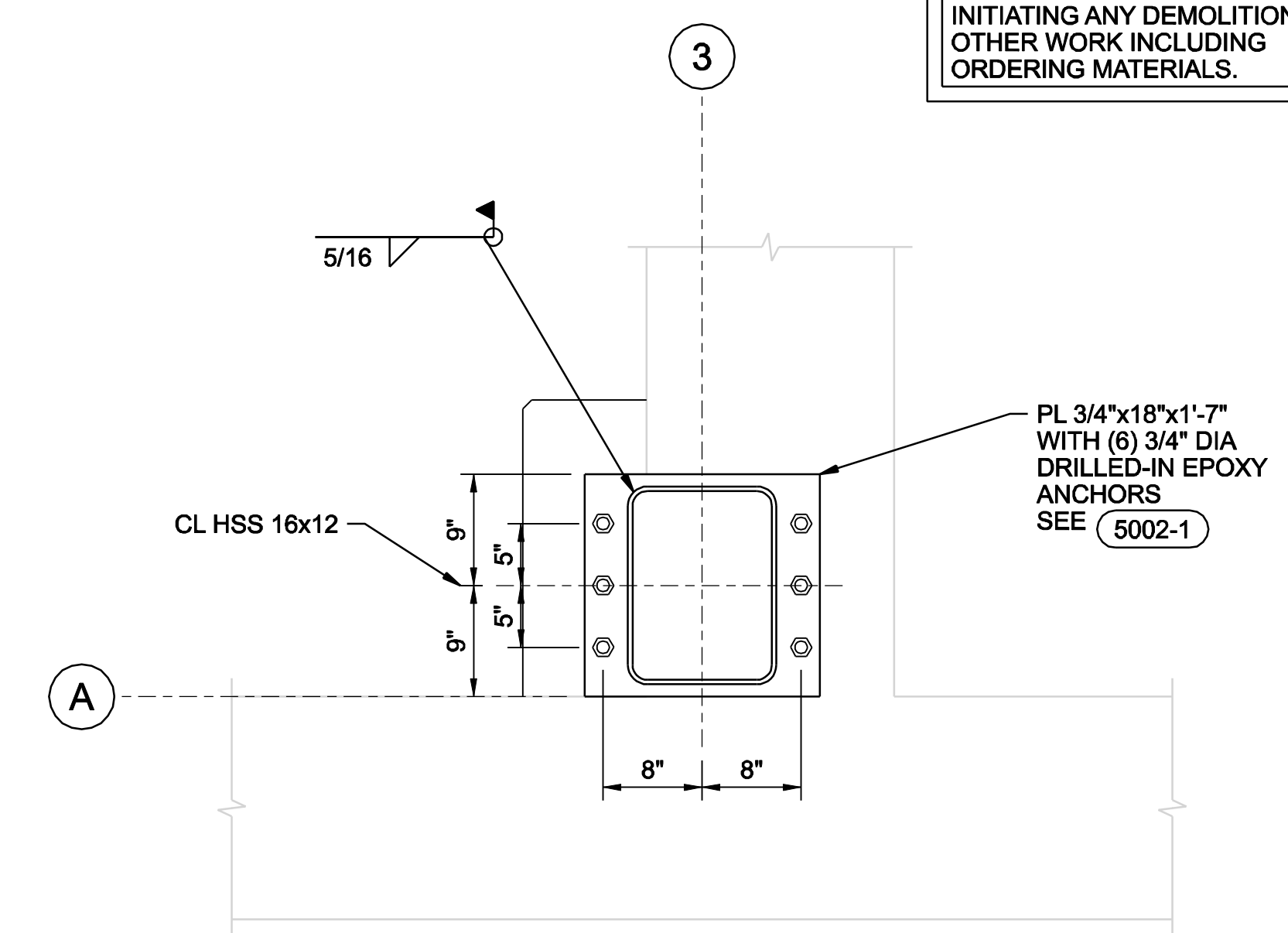


- NOTES:**
1. REMOVE CORROSION FROM SURFACES OF EXST COLUMN AND BASE PLATE PRIOR TO ENCASING IN CONC.
 2. NO HOOK REQUIRED AT BARS ALONG COLUMN LINE (B), (C) & (D)

3 DETAIL
3/4"=1'-0"
S-2404 TO S-2406



4 DETAIL
1"=1'-0"
S-2403



5 DETAIL
1"=1'-0"
S-2403

THESE RECORD DOCUMENTS HAVE BEEN PREPARED BASED ON THE INFORMATION PROVIDED BY OTHERS. THE DESIGN PROFESSIONAL HAS NOT VERIFIED THE ACCURACY AND/OR COMPLETENESS OF THIS INFORMATION AND SHALL NOT BE RESPONSIBLE FOR ANY ERRORS OR OMISSIONS WHICH MAY BE INCORPORATED HEREIN AS A RESULT.

CONTRACTOR TO FIELD VERIFY ALL DIMENSIONS PRIOR TO INITIATING ANY DEMOLITION OR OTHER WORK INCLUDING ORDERING MATERIALS.

		RECORD DRAWING		BY APVD	
		REVISION PER CCIR No. DR-1	RE-ISSUED FOR CONSTRUCTION	ISSUED FOR CONSTRUCTION	FOR FINAL REVIEW/ BUILDING PERMIT
		STAMFORD WATER POLLUTION CONTROL AUTHORITY		SOLIDS DRYING PROJECT	
STRUCTURAL DETAILS (MAIN FLOOR LEVEL 2)		DATE		DATE	
VERIFY SCALE		DATE		DATE	
BAR IS ONE INCH ON ORIGINAL DRAWING.		DATE		DATE	
DATE		DATE		DATE	
PROJ		DATE		DATE	
DWG		DATE		DATE	
SHEET		DATE		DATE	