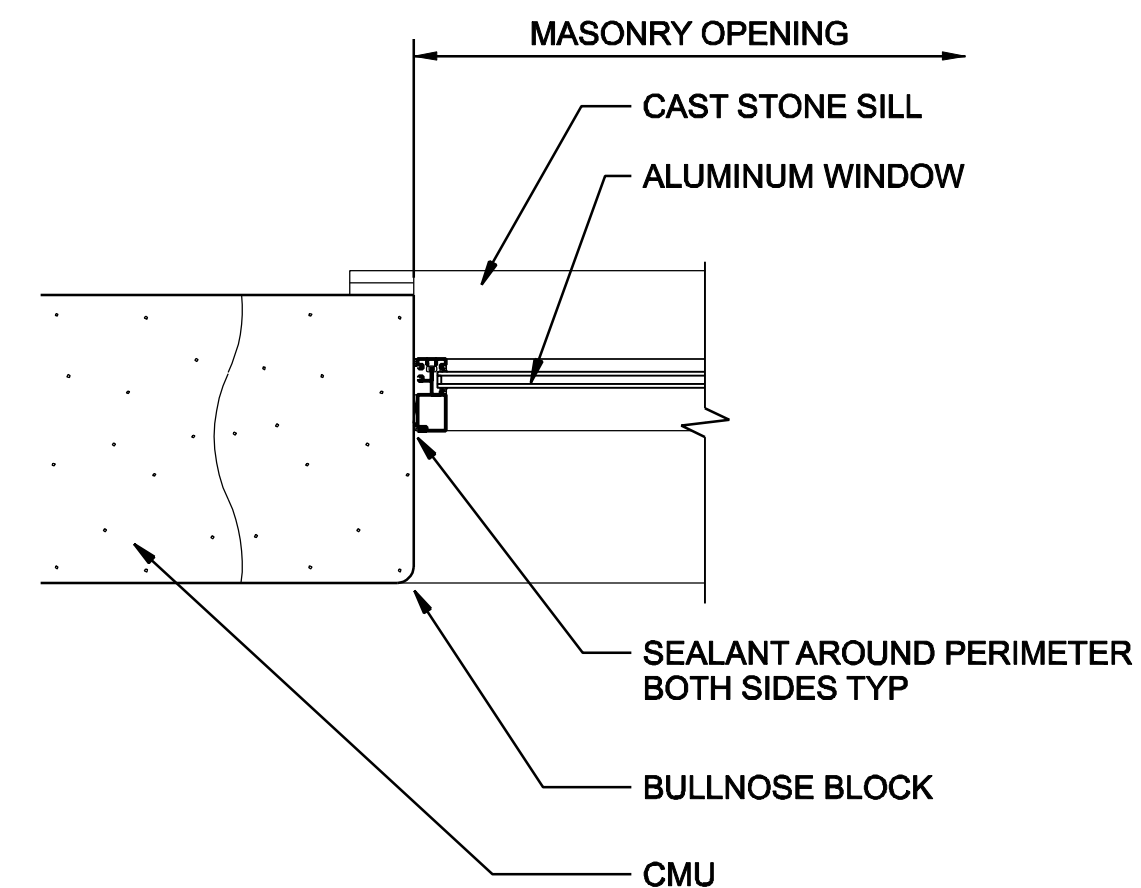
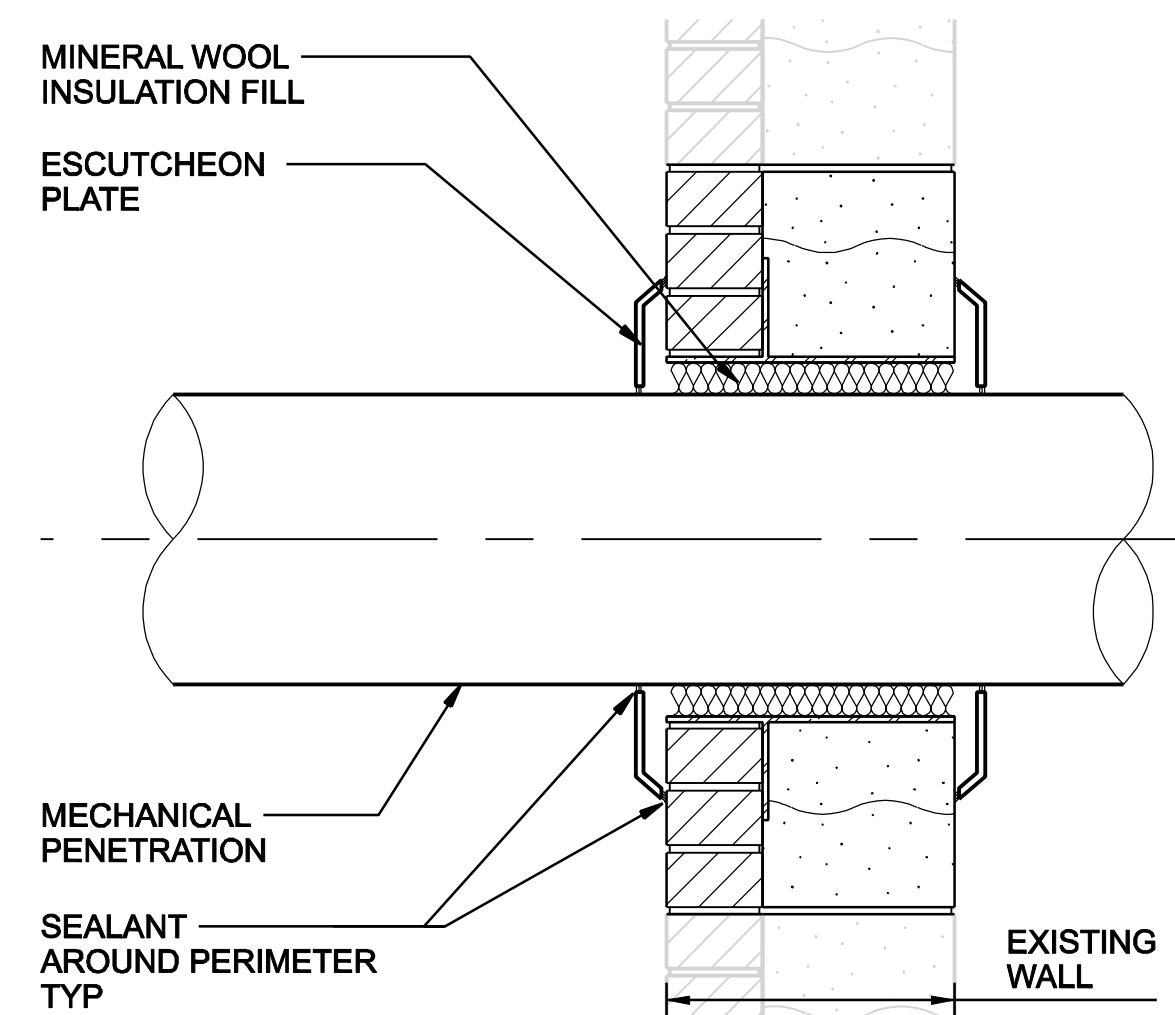


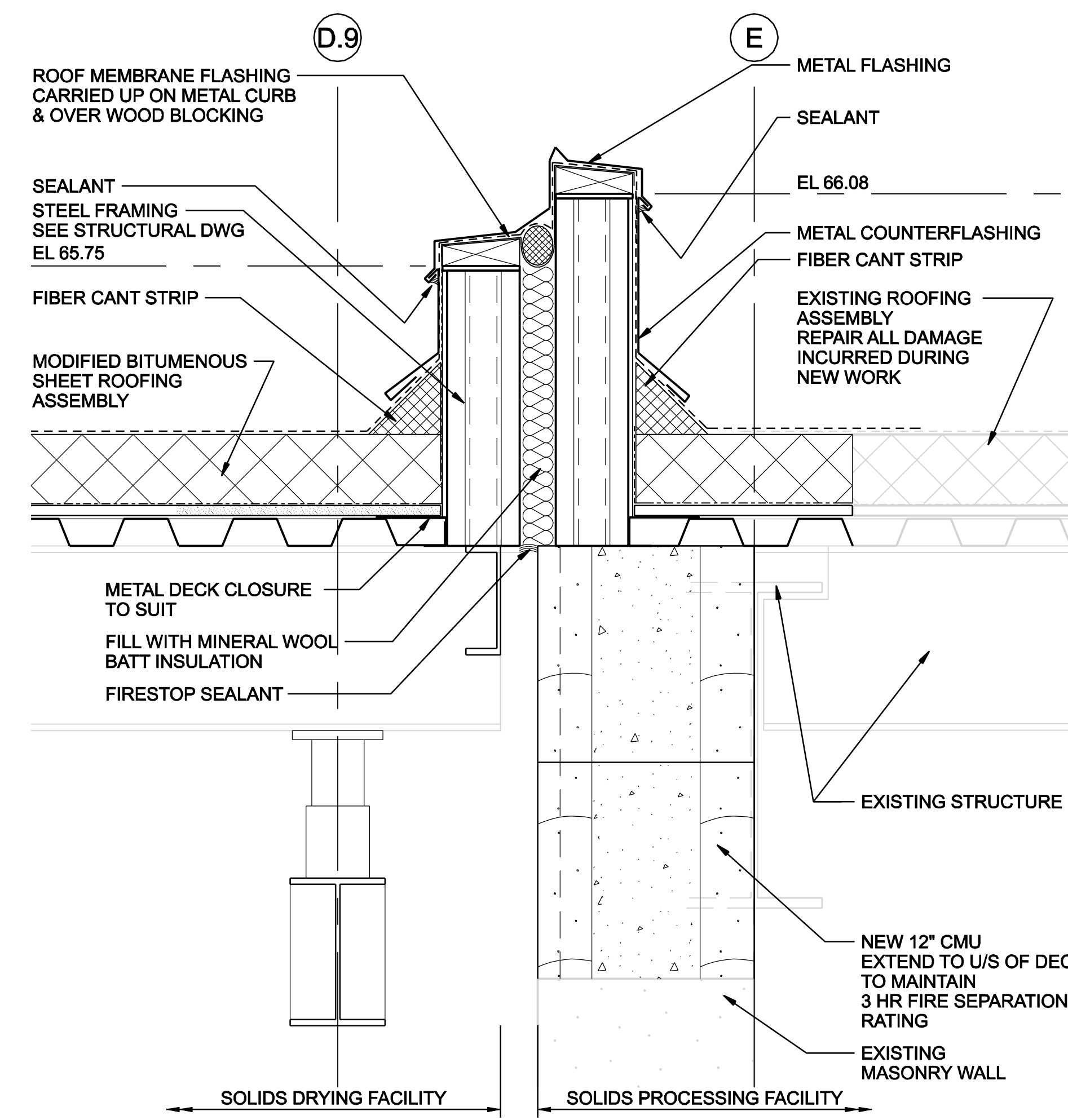
1 SKYLIGHT BASE DETAIL
1"=1'-0"
A2401



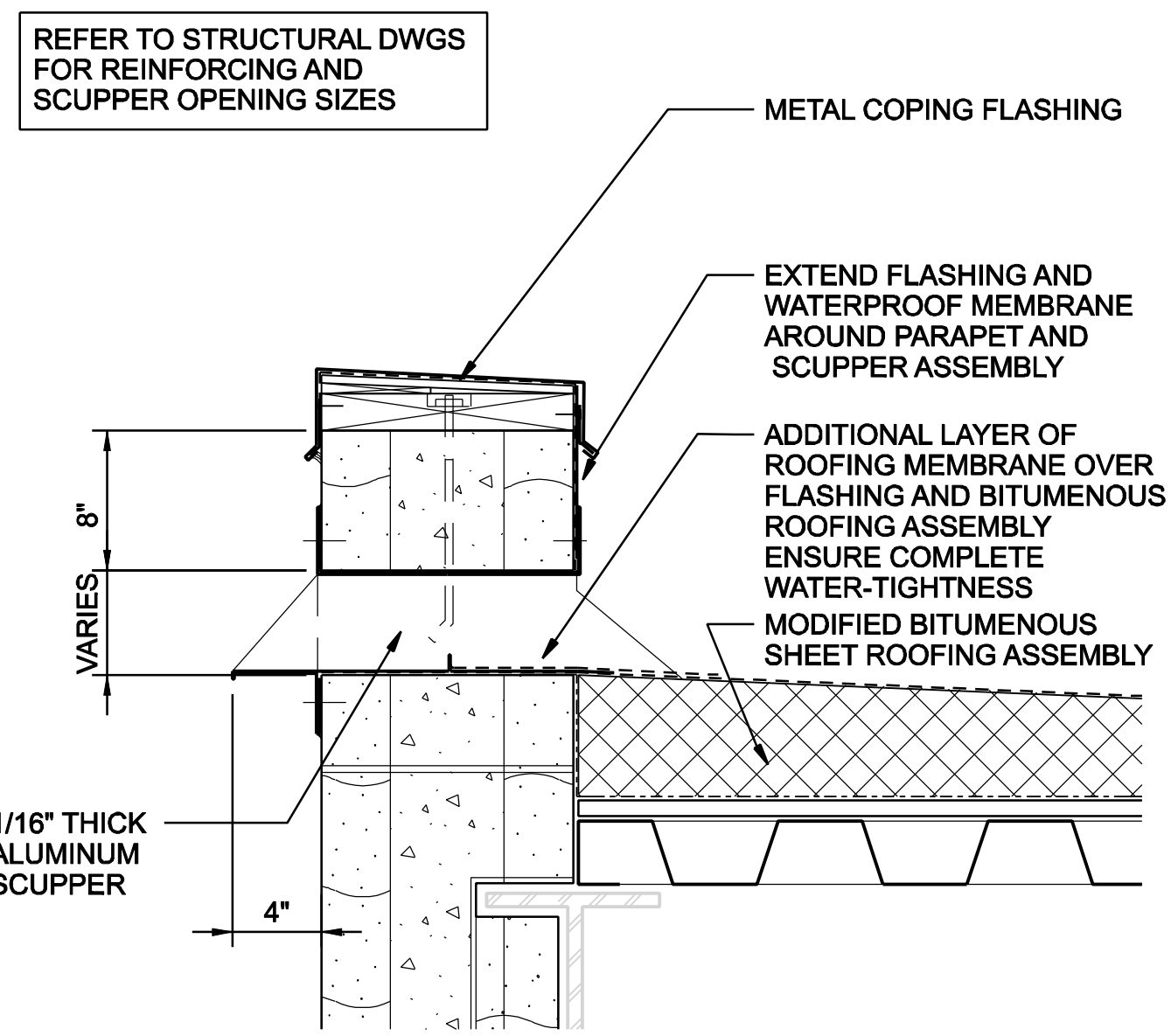
2 WINDOW JAMB DETAIL
1"=1'-0"
A2401



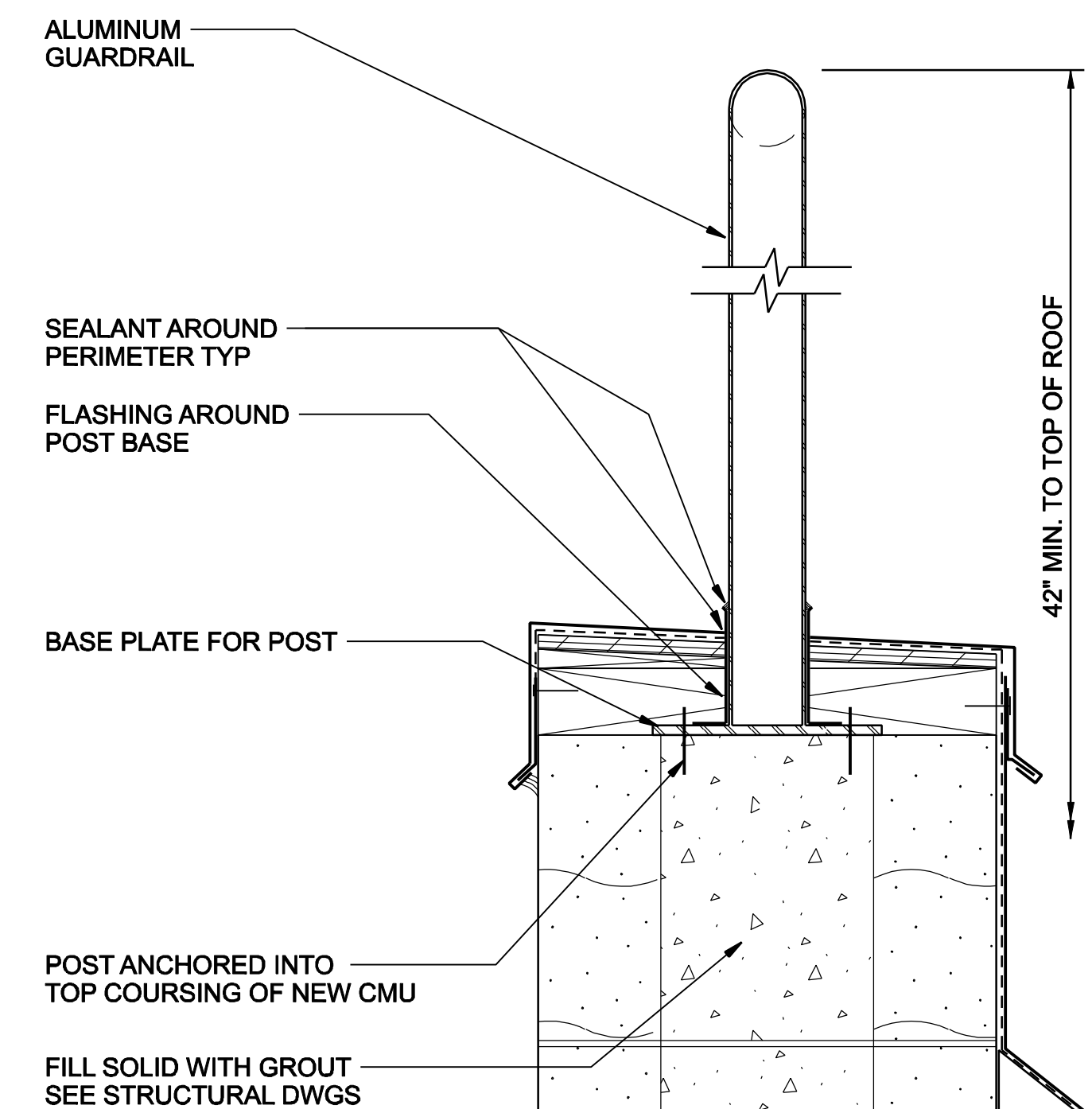
3 PIPE PENETRATION DETAIL
1"=1'-0"
A2412



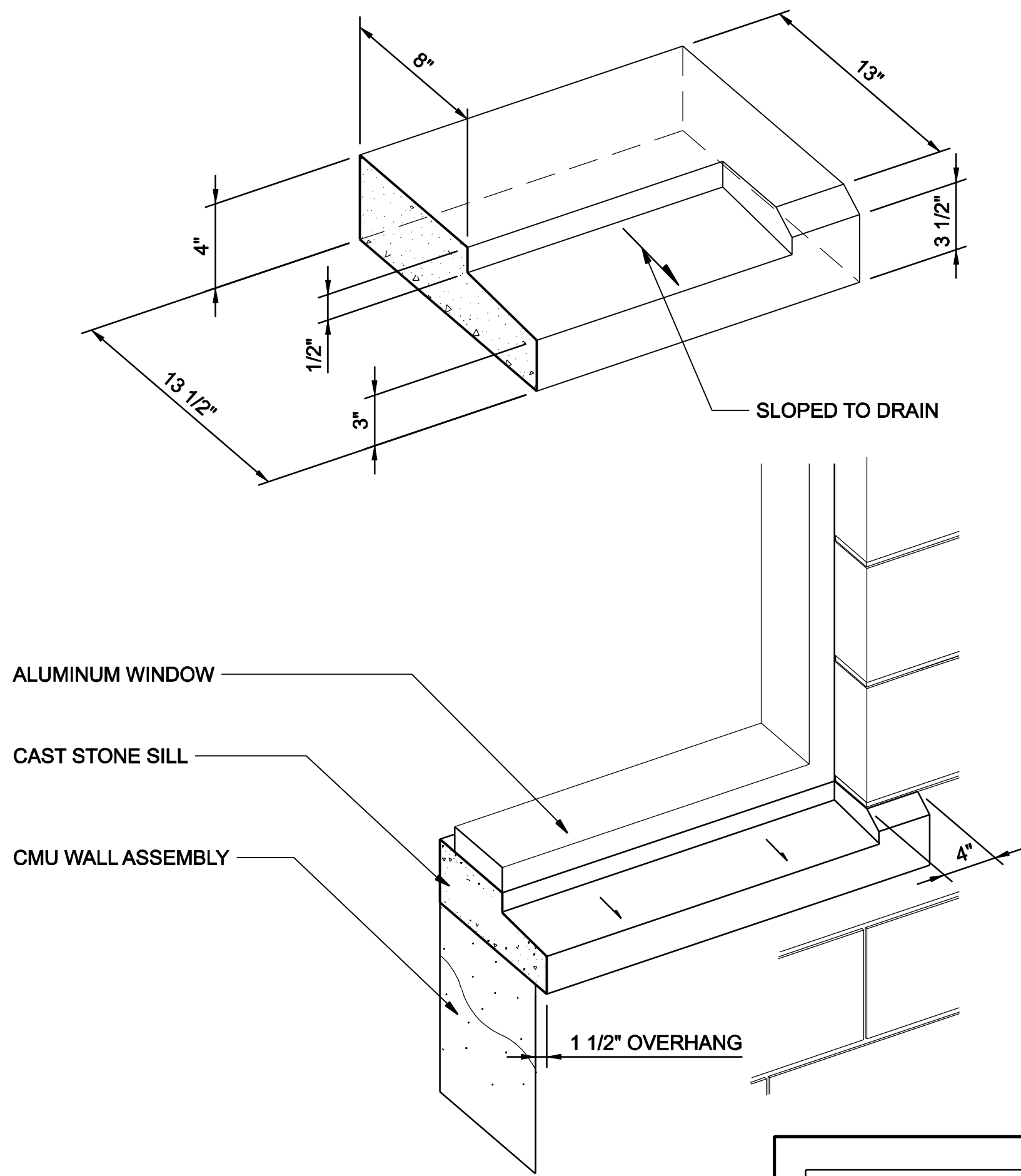
4 EXPANSION JOINT DETAIL AT ROOF
NTS
A2412



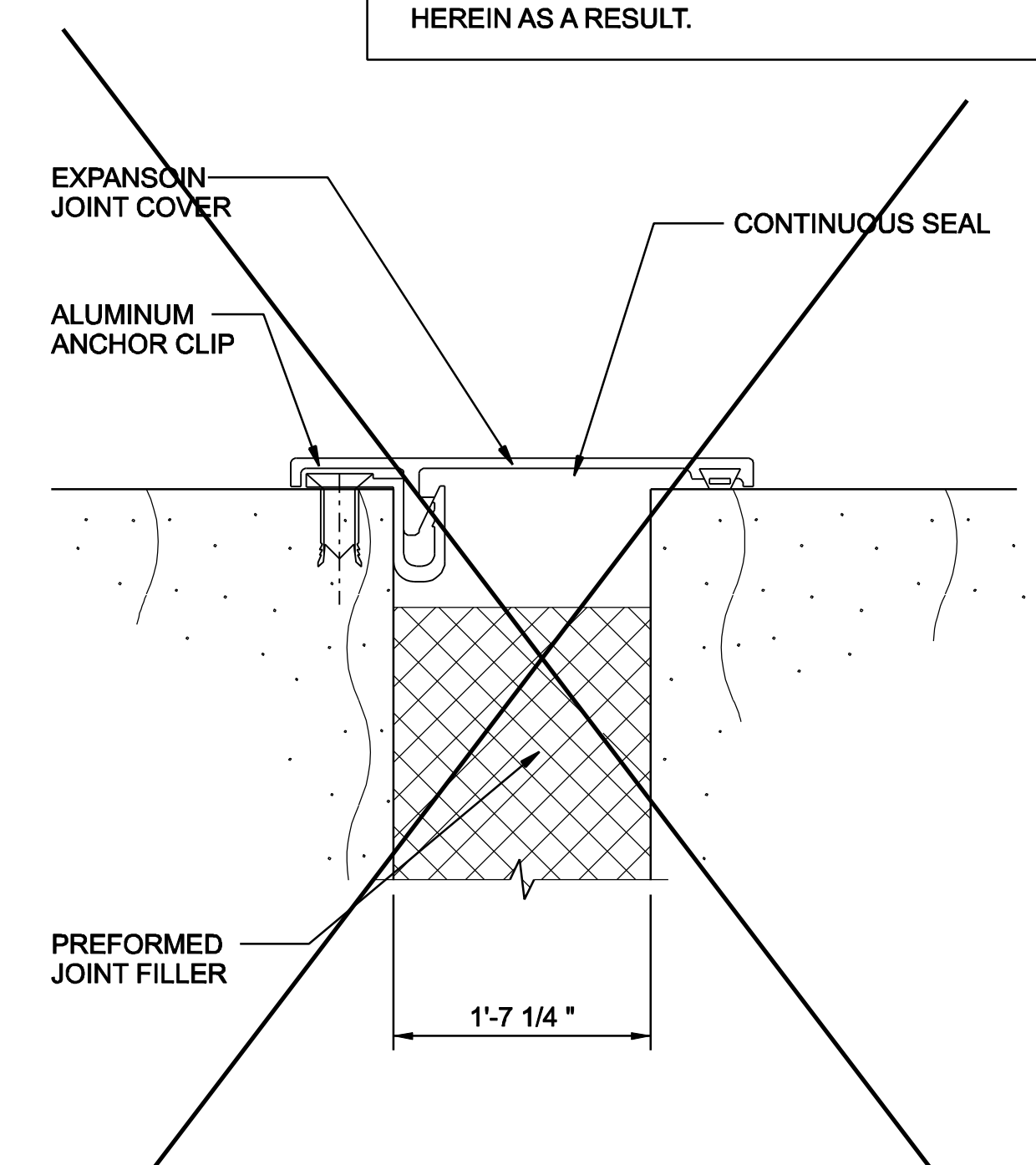
5 SCUPPER DETAIL
NTS
A2412



7 GUARD RAIL AT PARAPET
1"=1'-0"
A2406



6 CAST STONE SILL DIAGRAM
NTS
A2412



8 EXPANSION JOINT WALL COVER
NTS NOT USED
A2412

THESE RECORD DOCUMENTS HAVE BEEN PREPARED BASED ON THE INFORMATION PROVIDED BY OTHERS. THE DESIGN PROFESSIONAL HAS NOT VERIFIED THE ACCURACY AND/OR COMPLETENESS OF THIS INFORMATION AND SHALL NOT BE RESPONSIBLE FOR ANY ERRORS OR OMISSIONS WHICH MAY BE INCORPORATED HEREIN AS A RESULT.

RECORD DRAWING		BG	BG	PW	PW	BG	BG	LG	BG	BY	APVD	B. GACKSTATTER
RE-ISSUED FOR CONSTRUCTION		BG	BG	PW	PW	BG	BG	LG	BG	BY	APVD	L. GRANDE
ISSUED FOR CONSTRUCTION		BG	BG	PW	PW	BG	BG	LG	BG	BY	APVD	B. GACKSTATTER
FOR FINAL REVIEW/ BUILDING PERMIT		BG	BG	PW	PW	BG	BG	LG	BG	BY	APVD	B. GACKSTATTER
01/20/08	DR	WYU	CHK	APVD	DR	WYU	CHK	APVD	DR	WYU	CHK	APVD
09/08/06	DGN	WYU	CHK	APVD	DGN	WYU	CHK	APVD	DGN	WYU	CHK	APVD
07/04/06	DGN	WYU	CHK	APVD	DGN	WYU	CHK	APVD	DGN	WYU	CHK	APVD
06/05/06	DGN	WYU	CHK	APVD	DGN	WYU	CHK	APVD	DGN	WYU	CHK	APVD
NO.	DATE	DGN	CHK	APVD	DGN	WYU	CHK	APVD	DGN	WYU	CHK	APVD
3	01/20/08	DGN	CHK	APVD	DGN	WYU	CHK	APVD	DGN	WYU	CHK	APVD
2	09/08/06	DGN	CHK	APVD	DGN	WYU	CHK	APVD	DGN	WYU	CHK	APVD
1	07/04/06	DGN	CHK	APVD	DGN	WYU	CHK	APVD	DGN	WYU	CHK	APVD
0	06/05/06	DGN	CHK	APVD	DGN	WYU	CHK	APVD	DGN	WYU	CHK	APVD

STAMFORD WPC
STAMFORD WATER POLLUTION CONTROL AUTHORITY
SOLIDS DRYING PROJECT

ARCHITECTURAL DETAILS (3)

VERIFY SCALE
BAR IS ONE INCH ON ORIGINAL DRAWING.

DATE	JUNE 2006
PROJ	334058
DWG	A-2412
SHEET	A15

FILENAME: sta2412_334058.dgn
MODIFIED DATE:
MODIFIED TIME: