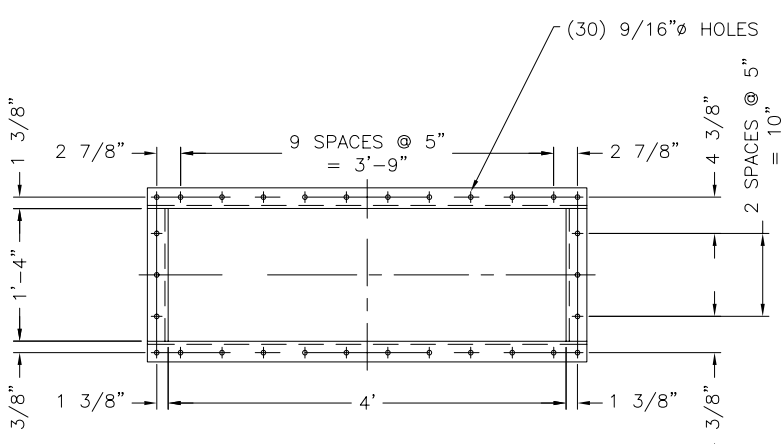
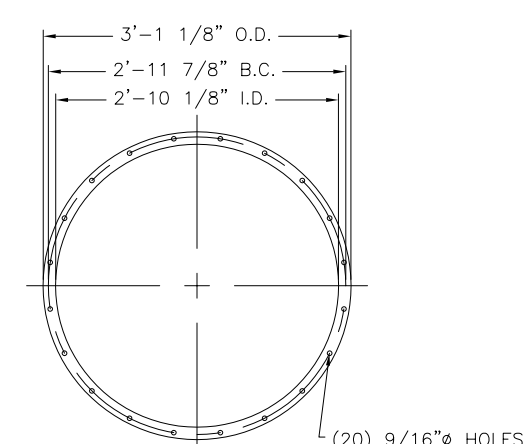


ELEVATION VIEW

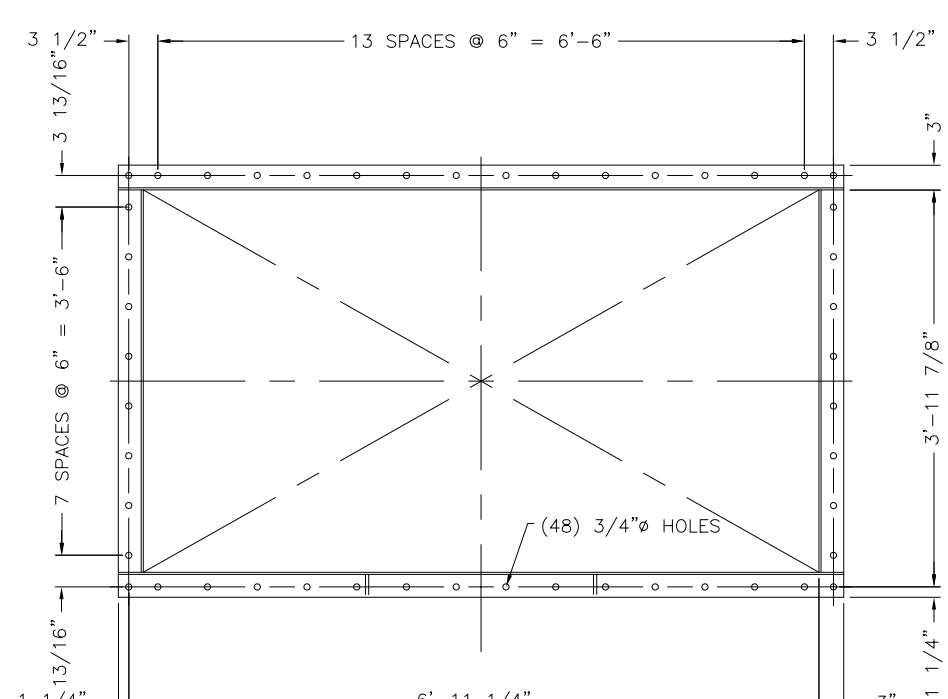
SIDE VIEW



1 CONNECTION FLANGE DETAIL
1"=1'-0"



2 CONNECTION FLANGE DETAIL
1"=1'-0"



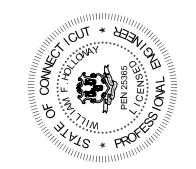
3 CONNECTION FLANGE DETAIL
1"=1'-0"

NOTES:

- FOR GENERAL PROCESS DUCT FABRICATION NOTES SEE THIS DRAWING.
- DESIGN OPERATING PRESSURE FOR THIS DUCT SECTION IS 30"WG NEGATIVE.
- MAXIMUM REINFORCEMENT SPACING ON THIS DUCT SECTION IS 10'-0".

GENERAL PROCESS DUCT FABRICATION NOTES:

- MANUFACTURER RESPONSIBLE FOR DESIGN OF SUPPORTS, TRANSITIONS BENDS REINFORCEMENT ANGLES AND FLANGES NOT DIMENSIONED.
- DUCT TO BE MANUFACTURED TO SMACNA INDUSTRIAL DUCT CONSTRUCTION STANDARDS, CLASS 4, 200° OPERATING TEMPERATURE.
- MAXIMUM DUCT SUPPORT SPACING TO BE 20'-0".
- FABRICATE FLANGES TO SMACNA STANDARDS AND BOLT PATTERNS USING STAINLESS STEEL ANGLES UNLESS NOTED OTHERWISE WIEGHT OF PARTICULATE IS 50# / CUBIC FOOT.
- LENGTH OF DUCT SEGMENTS TO BE DETERMINED BY MANUFACTURER, NOT TO EXCEED 20'-0". ALL PIECES TO BE DESIGNED FOR EASY HANDLING.
- MANUFACTURER TO ACCOUNT FOR 1/8" GASKETS. GASKETING TO BE INSTALLED PER STANDARD GASKETING DETAIL.
- PROCESS DUCT HANDLES WATER SATURATED AIR STREAM DUCT SYSTEM SHALL BE MANUFACTURED, GASKETED, AND INSTALLED TO CONTAIN CONDENSATION AND PREVENT LEAKAGE.
- NORMAL OPERATING TEMPERATURE - 210°F.
- MATERIALS OF CONSTRUCTION:
DUCT - 316L SS - 10 GAUGE
FASTNERS (BOLTS, NUTS, WASHERS): 316 - S/S
FLANGES - 316L SS
REINFORCEMENT ANGLES - 316L SS 2 1/2"x2 1/2"x1/4"
SUPPORTS - A36, PAINTED
- ALL WELDS PER AMERICAN WELDING SOCIETY SPEC'S. MUST BE GAS TIGHT.
- INSTALLATION - INSULATION MATERIAL AND INSULATION BY OTHERS.
INSULATION: 2 1/2"THK., 6 lbs. DENSITY MINERAL WOOL
CLADDING: 24 GAUGE (0.023 INCH) STAINLESS STEEL JACKET
INSTALLATION: STAINLESS STEEL BANDS, SCREWS AND RIVETS AS REQUIRED.



DATE:	01/30/06
DRAWN BY:	JEN
CHECKED BY:	
APPROVED BY:	
SCALE:	3/8"=1'-0"
FILE:	152456020
REV	0
FOR FINAL REVIEW/BUILDING PERMIT	06/05/06
REVISION	DATE

CITY OF STAMFORD CONNECTICUT SOLIDS DRYING PROJECT	PROJECT NUMBER 1524
GENERAL ARRANGEMENT DUCT POLYCYCLONE(004) TO I.D.FAN(005)	DRAWING NUMBER 560-20
DD540	REV 0
SHEET 1 OF 1	

THIS DRAWING IS COPY RIGHTED
THIS DRAWING IS A TRADE SECRET AND ONLY ENTRUSTED TO THE RECEIVER FOR HIS PERSONAL USE WITHOUT THE SIGNED WRITTEN CONSENT OF ANDRITZ-RUTHNER, INC. IT MUST NOT BE COPIED NOR MADE AVAILABLE TO THIRD PARTIES, INCLUDING COMPETITORS, NOR MADE ACCESSIBLE TO SUCH PARTIES. ANY LEGAL USE BY THE RECEIVER OR THIRD PARTIES FOR WHICH HE IS RESPONSIBLE CAN CONSTITUTE A CAUSE FOR LEGAL ACTION. THIS DRAWING MUST BE RETURNED ON REQUEST OF THE COMPANY.

