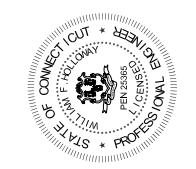
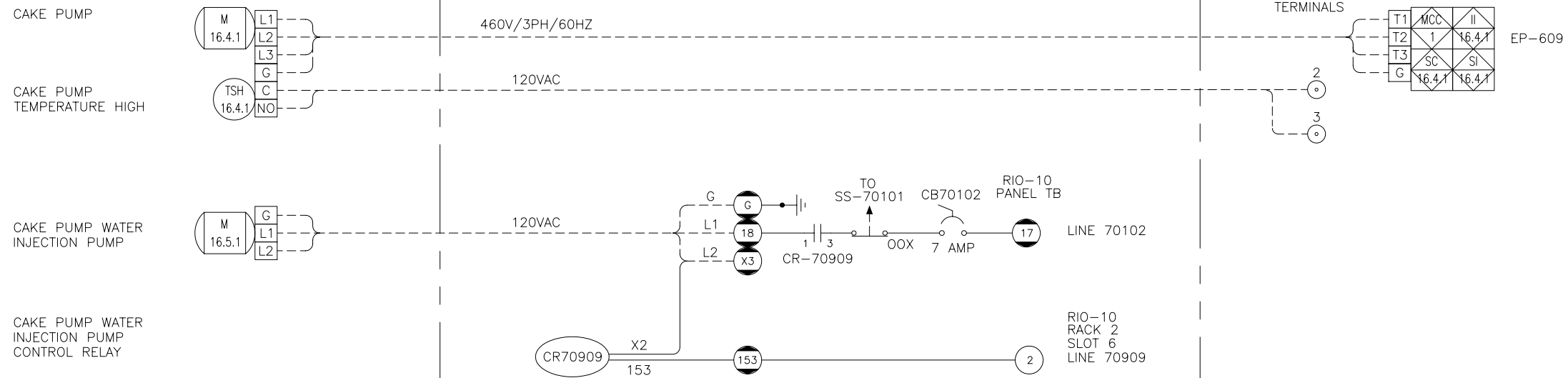


FIELD REMOTE I/O MCC BUCKET PANEL



DATE:	3/18/06
DRAWN BY:	BB
CHECKED BY:	
APPROVED BY:	
SCALE:	NONE
SIZE:	1524E1823
REV:	0
REVISION:	FOR FINAL REVIEW/BUILDING PERMIT
DATE:	12/08/06

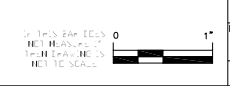
DDSD40

CITY OF STAMFORD CONNECTICUT
SOLIDS DRYING PROJECT
PELLETIZING TRAIN GROUP 016
LOOP DIAGRAM

TAG	DESCRIPTION	MANUFACTURER	MODEL NO.	CALIBRATION
M-16.3.1	MOTOR	X	X	X
M-16.4.1	MOTOR	X	X	X
TSH-16.4.1	TEMPERATURE SWITCH HIGH	X	X	X
M-16.5.1	MOTOR	X	X	X

THIS DRAWING IS COPY RIGHTED
FOR HIS PERSONAL USE WITHOUT THE SIGNED WRITTEN CONSENT OF ANDRITZ-RUTHNER, INC., IT MUST NOT BE COPIED NOR MADE AVAILABLE TO THIRD PARTIES. INCLUDING COMPETITORS, NOR MADE ACCESSIBLE TO SUCH PARTIES. ANY ILLEGAL USE BY THE RECEIVER OR THIRD PARTIES FOR WHICH HE IS RESPONSIBLE CAN CONSTITUTE A CAUSE FOR LEGAL ACTION. THIS DRAWING MUST BE RETURNED ON REQUEST OF THE COMPANY.

RELEASED 12/08/06
REVISION



PROJECT NUMBER 1524
DRAWING NUMBER EI-823
SHEET 1 OF 2