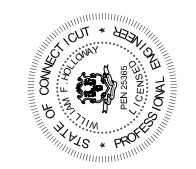
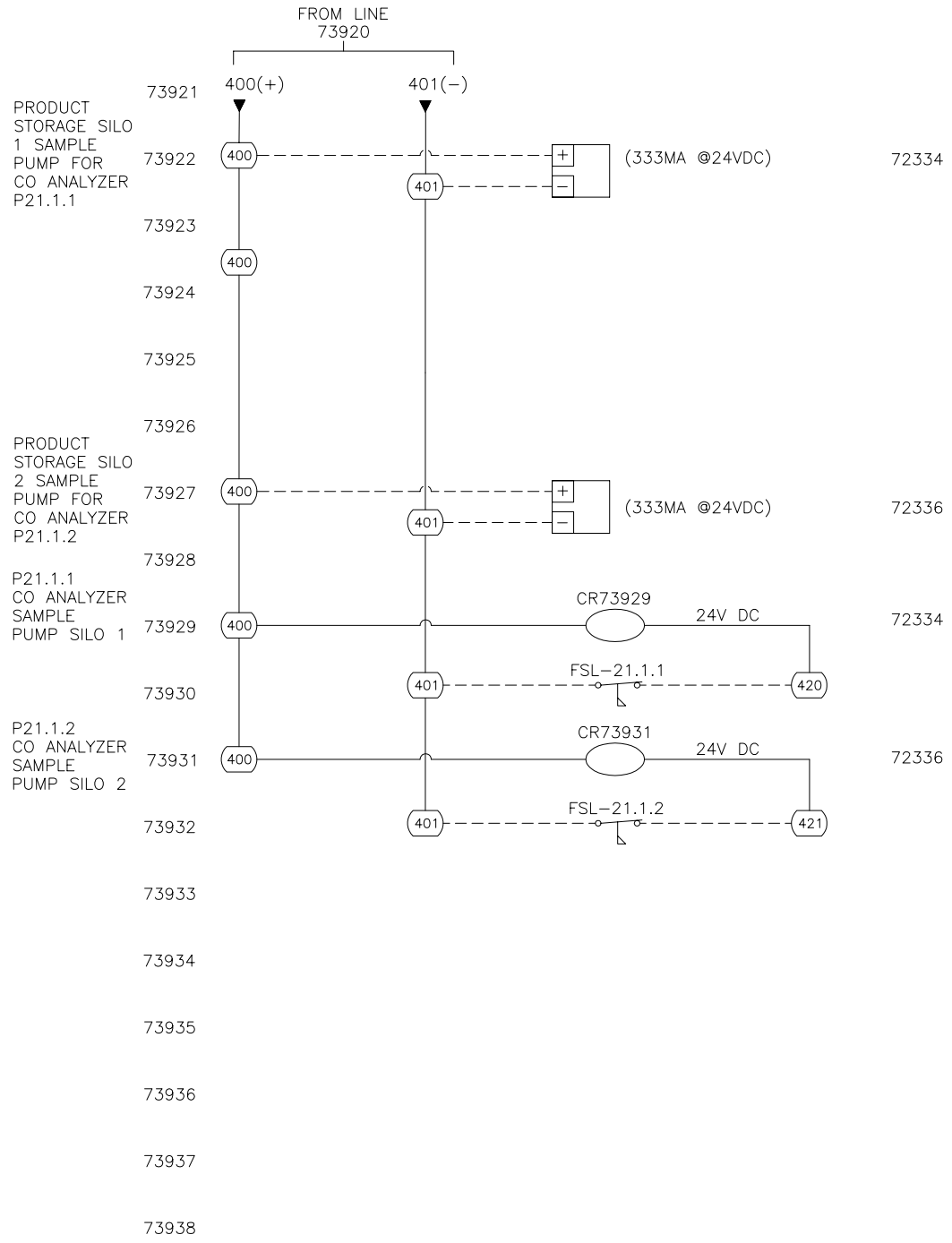


NOTES:
 1) CARDS SET UP IN DIFFERENTIAL MODE.



DATE	REVISION
10/13/06	1
06/05/06	0

DATE: 2/28/06	FILE: 1524E739
CHECKED BY:	SCALE: NONE
APPROVED BY:	SIZE:
DDS40	

CITY OF STAMFORD CONNECTICUT SOLIDS DRYING PROJECT	
TRUCK LOADOUT PANEL WIRING DIAGRAM	
JOB NAME	PROJECT NUMBER
1524	1
DRAWING NUMBER	REVISION
EI-739	1
SHEET	OF

THIS DRAWING IS COPY RIGHTED
 FOR HIS PERSONAL USE WITHOUT THE SIGNED WRITTEN CONSENT OF ANDRITZ-RUTHNER, INC., IT MUST NOT BE COPIED NOR MADE AVAILABLE TO THIRD PARTIES.
 INCLUDING COMPETITORS, NOR MADE ACCESSIBLE TO SUCH PARTIES. ANY ILLEGAL USE BY THE RECEIVER OR THIRD PARTIES FOR WHICH HE IS RESPONSIBLE CAN CONSTITUTE A CAUSE FOR LEGAL ACTION. THIS DRAWING MUST BE RETURNED ON REQUEST OF THE COMPANY.

RELEASED 12/08/06
 REVISION - 1

